

# PARTS CATALOGUE



## SCOOTERS

SK80AA(HL)

XCITING 400i



檔車

Motorcycles



速克達

Scooters



全地型車

ATV



代步車

Mobilescooters

Release Date : 2013/08/08

Print Date : 2013/08/09

## ABOUT THIS PARTS LIST

- This parts list is compiled all service parts for model SK80AA(HL).
- Any difference between color chart and motorcycle will be revised according to motorcycle.
- The Mark:
  1. Marking "\*\*\*" must add color code in the end before ordering parts.
  2. Marking "#" are parts with modification, Please find the details from e-Parts system.
- When modification or additions to this parts list are made a revised edition at an appropriate time.



# CONTENTS

● ABOUT THIS PARTS LIST .....	1
● COLOR CHART OF SK80AA(HL) .....	3
● CONTENTS-ENGINE GROUP .....	8
● CONTENTS-FRAME GROUP .....	9
● ENGINE PARTS LIST .....	12
● FRAME PARTS LIST .....	44
● PART NO. INDEX .....	124

NO	MODEL			COLOR CHART OF SK80AA(HL)			
	PHOTO NO			NO. 1	NO. 2	NO. 3	
	BASIC COLOR			Mat White	Mat Black	Pearly Black	
	CODE			Mat White	Mat Black	Pearly Black	
	PARTS NAME	PARTS NO.	VERSION	NH265FA	NH294FA	NH359PA	
1	PROTECTOR. MUFFLER	18318-LKF5-E00	4	D1F			
2	FENDER FR	61100-LGR2-305	1	D2V	D36	D39	
3	HANDLE COVER LOW	53206-LKF5-E00	2	HUP			
4	TUNNEL LEG SHIELD	81141-LKF5-E00	4				
5	CARRIER RR	81200-LGR2-E00	1	HUP			
6	COVER FR TOP	64301-LGR2-E00	1				
7	BOARD,R SIDE COVER	83510-LKF5-E00	2	HUP		J2F	
8	BOARD,L SIDE COVER	83610-LKF5-E00	2				
9	FRONT COVER COMP L	1134B-LKF5-E00	0	J2F			
10	TAIL CAP. MUFFLER	18306-LKF5-E00	4	J8F			
11	SKIRT,R/L SIDE	64305-LKF5-E00	2				
12	SKIRT,L SIDE	64306-LKF5-E00	2	J8F			
13	MOLDING FR	64302-LGR2-305	0				
14	COVER R.. BODY	83500-LKF5-E00	3	J8F			
15	COVER L.. BODY	83600-LKF5-E00	3				
16	COVER RR CENTER	83750-LKF5-E00	2	M2S			
17	CUSHION ASSY., RR.	52400-LKF5-E00	4				
18	CUSHION ASSY, RR L/H	52500-LKF5-E00	1	M3A			
19	LEVER R STRG HANDLE	53175-LKF5-E00	0				
20	LEVER L STRG HANDLE	53178-LKF5-E00	0	N1P			
21	SIDE COVER , L COVER	11345-LKF5-E00	2				
22	SKIRT A,R SIDE	64205-LKF5-E00	1				
23	SKIRT A,L SIDE	64206-LKF5-E00	1				
24	SKIRT FR R SIDE	64307-LGR2-E00	0				
25	SKIRT FR L SIDE	64308-LGR2-E00	0				
DATE OF STARTING-SALES							
DATE OF END-SALES							

NO	MODEL			COLOR CHART OF SK80AA(HL)						
	PHOTO NO			NO. 1	NO. 2	NO. 3				
	BASIC COLOR			Mat White	Mat Black	Pearly Black				
	CODE			Mat White	Mat Black	Pearly Black				
	PARTS NAME	PARTS NO.	VERSION	NH265FA	NH294FA	NH359PA				
26	MIRROR ASSY R BACK	88110-LKF5-E00	0	N1P						
27	MIRROR ASSY L BACK	88120-LKF5-E00	0							
28	CASE ASSY BATTERY	5032A-LKF5-E00	0	N1R						
29	BATTERY COVER,ASSY.	5032B-LKF5-E00	1							
30	COVER,UNDER	50613-LKF5-E00	1							
31	GRIP COMP THROT	53140-KKC4-900	0							
32	GRIP L HANDLE	53166-KGB5-900	0							
33	COVER METER FR	53203-LBA2-E00	3							
34	COVER METER RR	53204-LBA2-E00	3							
35	HANDLE COVER UP	53205-LKF5-E00	3							
36	LID,HANDLE UP	53208-LKF5-E00	1							
37	HOLDER ASSY..R WIND	6413A-LGR2-E00	4							
38	COVER R WIND	64140-LKF5-E00	1							
39	HOLDER ASSY..L WIND	6423A-LGR2-E00	4							
40	COVER L WIND SCREEN	64240-LKF5-E00	1							
41	FLOOR.PANEL R	64310-LKF5-E00	2							
42	MAT FLOOR,R	64320-LKF5-E00	1							
43	FLOOR.PANEL L	64330-LKF5-E00	2							
44	MAT FLOOR,L	64340-LKF5-E00	1							
45	COWL,UNDER	64400-LKF5-E00	2							
46	FENDER,RR. INNER	80101-LKF5-E00	1							
47	RR FRNDER,UP	80105-LKF5-E00	2							
48	RR FENDER LOW	80106-LKF5-E00	0							
49	COVER LICENSE LIGHT	80107-LKF5-E00	0							
50	FENDER ASSY.RR TIRE	8010B-LKF5-E00	6							
DATE OF STARTING-SALES										
DATE OF END-SALES										

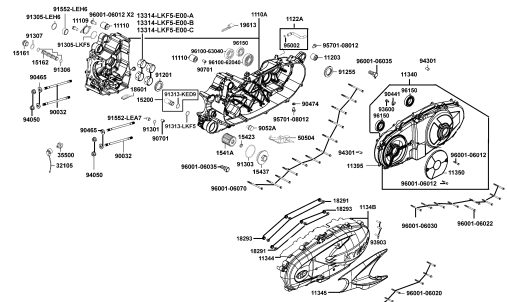
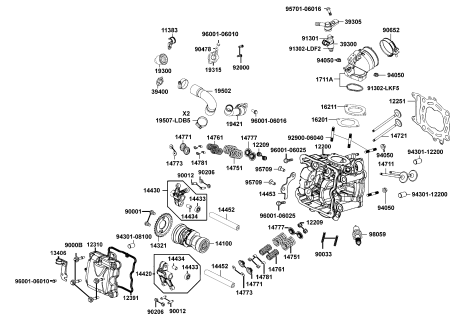
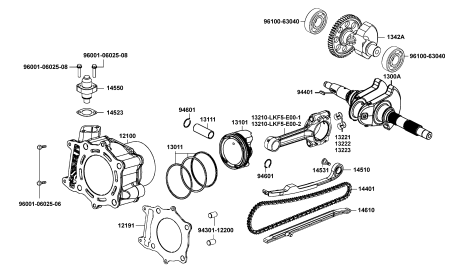
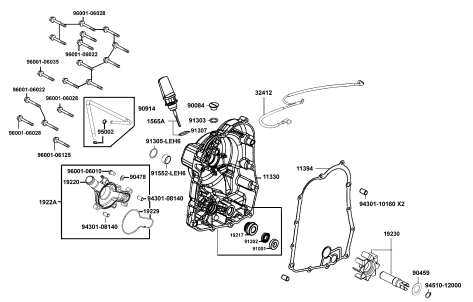
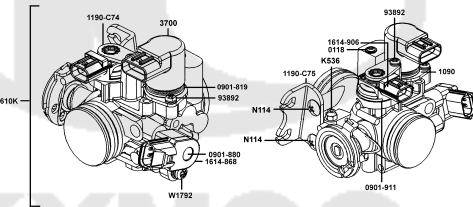
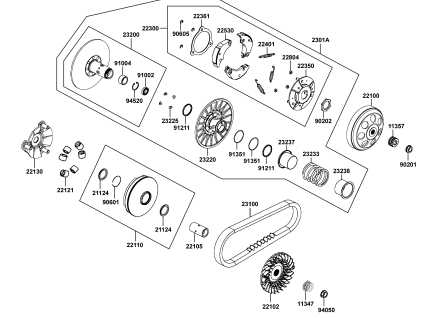
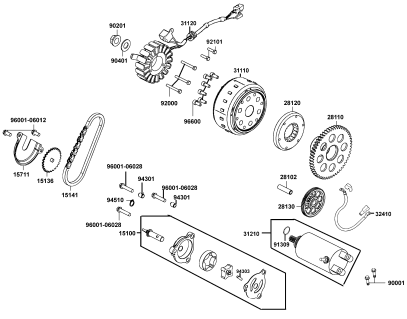
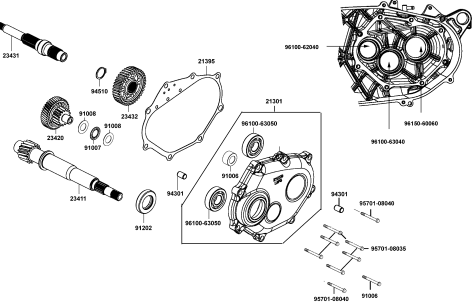
NO	MODEL			COLOR CHART OF SK80AA(HL)			
	PHOTO NO			NO. 1	NO. 2	NO. 3	
	BASIC COLOR			Mat White	Mat Black	Pearly Black	
	CODE			Mat White	Mat Black	Pearly Black	
	PARTS NAME	PARTS NO.	VERSION	NH265FA	NH294FA	NH359PA	
51	COVER CENTER	80151-LKF5-E00	3	N1R			
52	LID,FUEL TANK MAINT	80152-LKF5-E00	4				
53	LID B,FUEL TANK MAINT	80154-LKF5-E00	1				
54	LEG SHIELD	81131-LKF5-E00	5				
55	LID,FR. INNER BOX	81132-LKF5-E00	2				
56	COVER,INNER CAP,LID	81134-LKF5-E00	3				
57	RETAIN PLATE,INNER	81135-LKF5-E00	1				
58	RUBBER,ADJUSTER	81136-LKF5-E00	2				
59	COVER,RADIATOR	81137-LKF5-E00	1				
60	LID RESERVE TANK	81138-LKF5-E00	1				
61	LID FR.ASSY.,INNER	8113A-LKF5-E00	2				
62	COVER,R SIDE	83530-LKF5-E00	3				
63	COVER,L SIDE	83630-LKF5-E00	3				
64	BAND HARNESS WIRE	90656-KUDU-900	0				
65	COVER COMP R CRANK	11330-LKF5-E00	4	NEA			
66	COVER, WATER PUMP	19220-LKF5-305	0				
67	COVER ASSY., WATER	1922A-LKF5-E00	5				
68	CALIPER ASSY, RR	43100-LKF5-E00	0				
69	CALIPER ASSY, FR L/H	45100-LKF5-E00	3				
70	CALIPER ASSY, FR R/H	45200-LKF5-E00	3				
71	FORK ASSY, FR R	51400-LKF5-E00	5				
72	BOTTOM CASE R	51421-LKF5-E00	0				
73	FORK ASSY, FR L	51500-LKF5-E00	5				
74	BOTTOM CASE L	51521-LKF5-E00	0				
75	FORK ASSY, RR	52000-LKF5-E00	3				
DATE OF STARTING-SALES							
DATE OF END-SALES							

NO	MODEL			COLOR CHART OF SK80AA(HL)			
	PHOTO NO			NO. 1	NO. 2	NO. 3	
	BASIC COLOR			Mat White	Mat Black	Pearly Black	
	CODE			Mat White	Mat Black	Pearly Black	
	PARTS NAME	PARTS NO.	VERSION	NH265FA	NH294FA	NH359PA	
76	FORK A RR CAST	52110-LKF5-E00	0	NEA			
77	MOLD,R SIDE	83520-LKF5-E00	1	NEP			
78	MOLD,L SIDE	83620-LKF5-E00	1				
79	PROTECTOR. EXH PIPE	18325-LKF5-E00	1				
80	END HANDLE	53102-LEA5-E00	3	NES			
81	END R STRG HANDLE	53105-LEA5-E00	3				
82	REPLACEMENT ASSY	77200-LKF5-305	0				
83	SEAT ASSY.	77200-LKF5-E01	2				
84	BACK SEAT COMP	77210-LKF5-E00	2				
85	EMB K-LOGO	86102-LKJ1-900	0				
86	EMB BODY COVER	86202-LKF5-E00	0				
87	STRIPE R FR MOLD	86282-LGR2-E00	0				
88	STRIPE L FR MOLD	86283-LGR2-E00	0				
89	STRIPE B R FR MOLD	86284-LGR2-E00	0				
90	STRIPE B L FR MOLD	86286-LGR2-E00	0				
91	STRIPE COVER TUNNEL	86701-LKF5-E00	1	T01			
92	EMB MARK KYMCO	87206-LBA2-E00	2				
93	LABEL TIRE	87505-LKF5-E00	2				
94	LABEL CLEANNESS	87508-KKC4-E00	1				
95	CAUTION FILTER	87512-LBA2-E00	2				
96	CAUTION SIDE STAND	87541-GAR1-E00	1				
97	CAUTION MOBILE	87541-KKC2-E00	1				
98	LABEL OIL	87541-LFA1-E90	0				
99	MARK MAINT CAUTION	87542-GAR1-E00	2				
100	MARK DRIVE CAUTION	87560-GFY6-E00	3				
DATE OF STARTING-SALES							
DATE OF END-SALES							





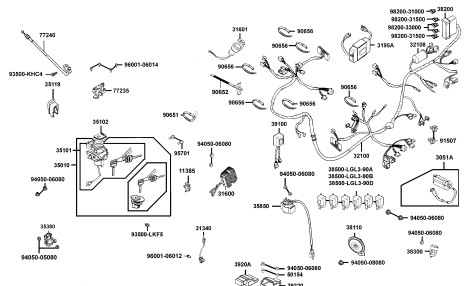
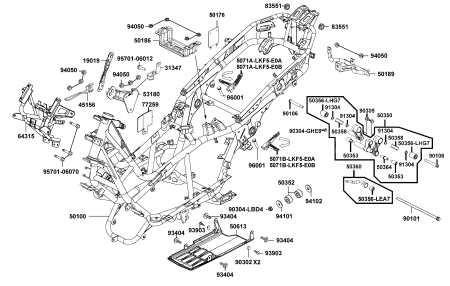
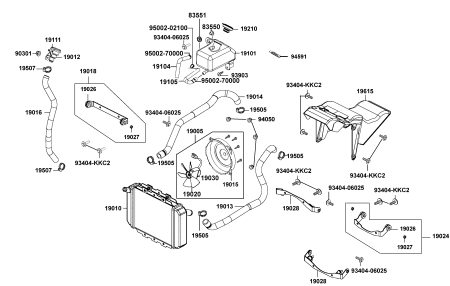
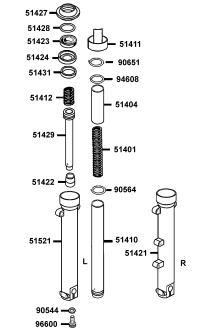
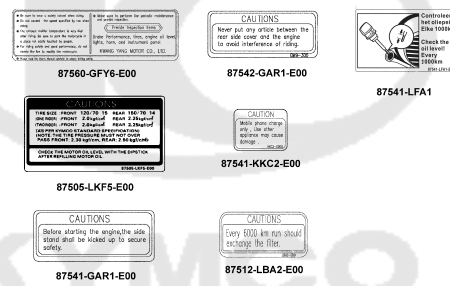
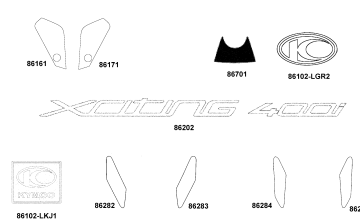
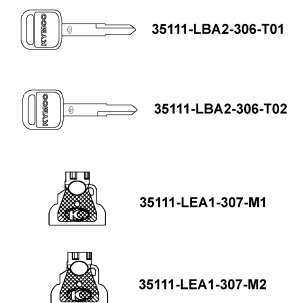
# CONTENTS - ENGINE GROUP

E01 Crank Case	E02 Cylinder Head Cover Cylinder	E03 Cylinder Piston Crankshaft
		
<b>E04 Right Crankcase Cover Water</b>	<b>E05 Throttle Body Assy</b>	<b>E06 Drive Pulley</b>
		
<b>E07 Starting Motor Generator</b>	<b>E08 Shaft Reduction</b>	
		



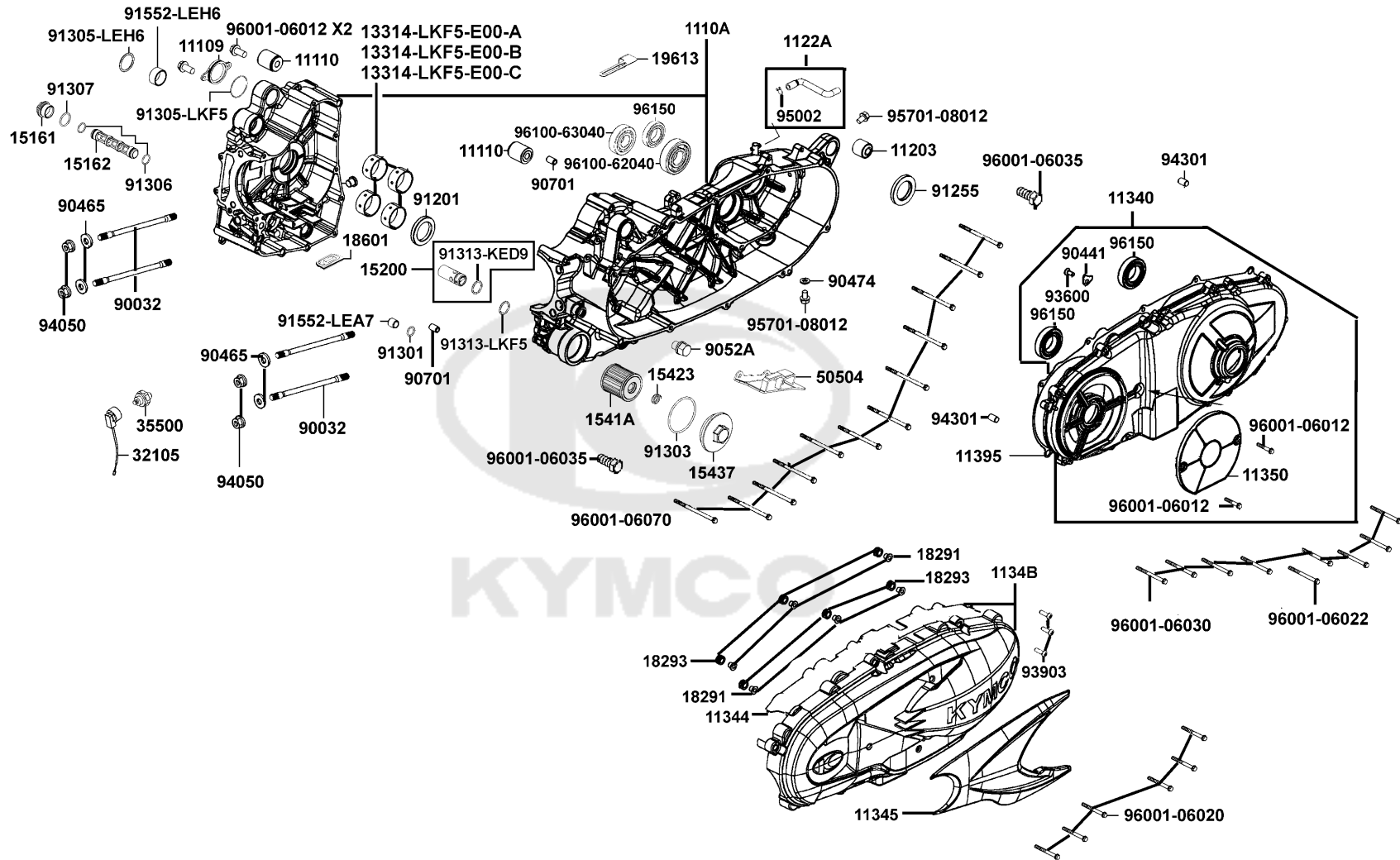


# CONTENTS - FRAME GROUP

<p><b>F19</b>    <b>Harness Wire</b></p> 	<p><b>F20</b>    <b>Frame Body</b></p> 	<p><b>F21</b>    <b>Radiator</b></p> 
<p><b>F22</b>    <b>Separated Parts Of Fr Fork</b></p> 	<p><b>F23</b>    <b>Caution Label</b></p> 	<p><b>F24</b>    <b>Emblem Stripe</b></p> 
<p><b>F25</b>    <b>Key</b></p> 		

E01

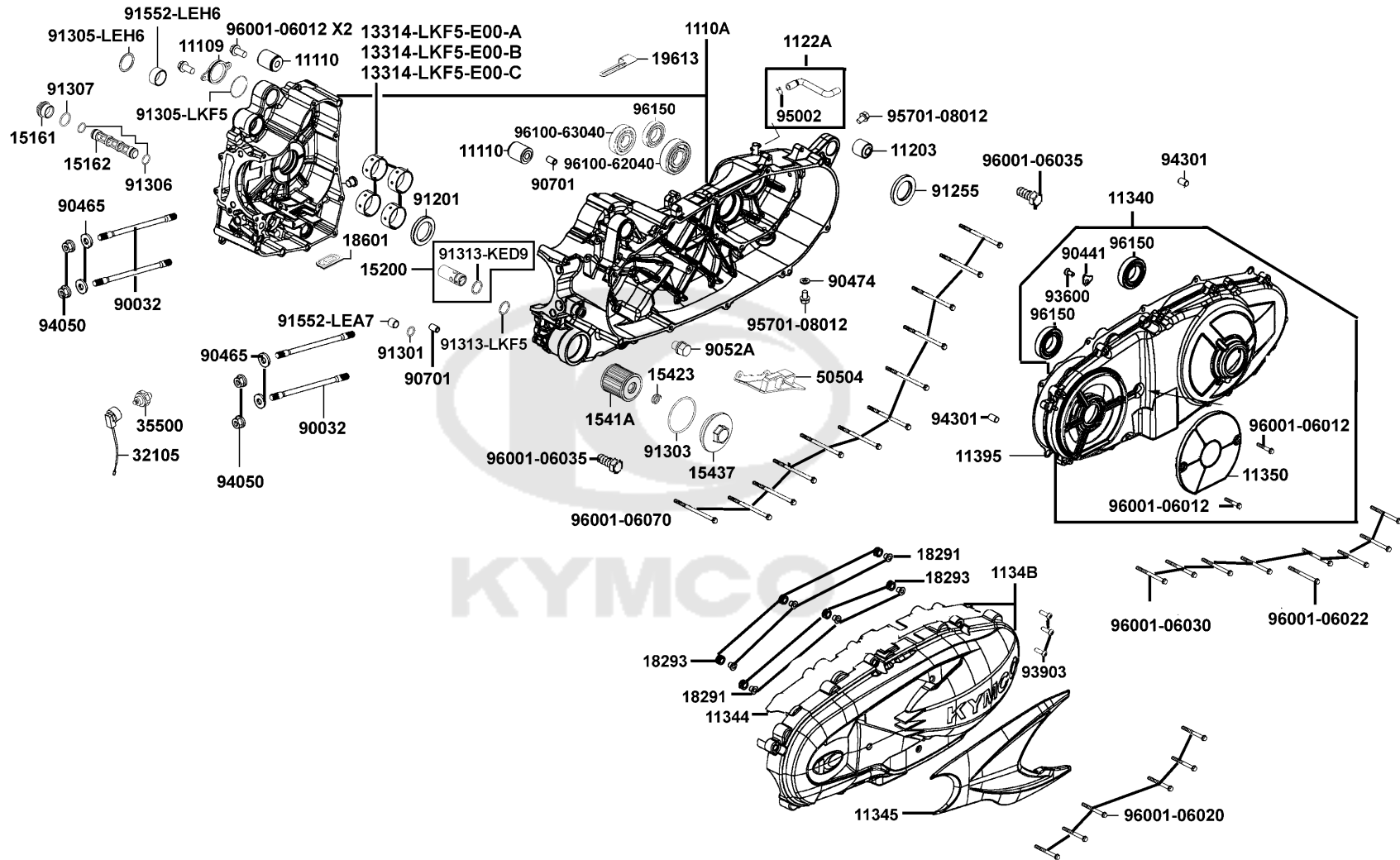
# Crank Case



Sales mark	Ref no	Part no	Description	Reg description	Regd no	E01
	11109	11109-LKF5-E00	COVER BLANCE SHAFT	COVER BLANCE SHAFT	1	
	1110A	1110A-LKF5-305	CASE R/L ASSY	CASE R/L ASSY	1	
	11110	11110-LLJ3-E00	RUB BUSH ENG HANGER	RUB BUSH ENG HANGER	2	
	11203	11203-LBA2-E00	RUB BUSH L CASE	RUB BUSH L CASE	1	
	1122A	1122A-LEA7-E00	TUBE ASSY BREATHER	TUBE ASSY BREATHER	1	
	11340	11340-LKF5-E00	COVER COMP L CRANK CASE	COVER COMP L CRANK CASE	1	
	11344	11344-LKF5-E00	DUCT B L COVER	DUCT B L COVER	1	
**	11345	11345-LKF5-E00	SIDE COVER L COVER	SIDE COVER L COVER	1	
**	1134B	1134B-LKF5-E00	FRONT COVER COMP L COVER	FRONT COVER COMP L COVER	1	
	11350	11350-LKF5-E00	ELEMENT DUCT. A L. COVER	ELEMENT DUCT. A L. COVER	1	
	11395	11395-LKF5-E00	GASKET L COVER @A	GASKET L COVER @A	1	
	13314-LKF5-E00-A	13314-LKF5-E00-A	BEARING, CRANK SHAFT	BEARING, CRANK SHAFT	4	
	13314-LKF5-E00-B	13314-LKF5-E00-B	BEARING, CRANK SHAFT	BEARING, CRANK SHAFT	4	
	13314-LKF5-E00-C	13314-LKF5-E00-C	BEARING, CRANK SHAFT	BEARING, CRANK SHAFT	4	
	15161	15161-PUA5-E00	PLUG SCREW SECTION FILTER	PLUG SCREW SECTION FILTER	1	
	15162	15162-PUA5-E00	SUCTION FILTER CRANK SIDE	SUCTION FILTER CRANK SIDE	1	
	15200	15200-LKF5-E00	OIL RELIEF VALVE ASSY	OIL RELIEF VALVE ASSY.	1	
	1541A	1541A-LEH6-E00	ELEMENT ASSY.,OIL FILTER	ELEMENT ASSY.,OIL FILTER	1	
	15423	15423-KKC3-900	SPRING CAP OIL	SPRING CAP OIL	1	
	15437	15437-LEA7-E00	CAP OIL FILTER	CAP OIL FILTER	1	

E01

# Crank Case

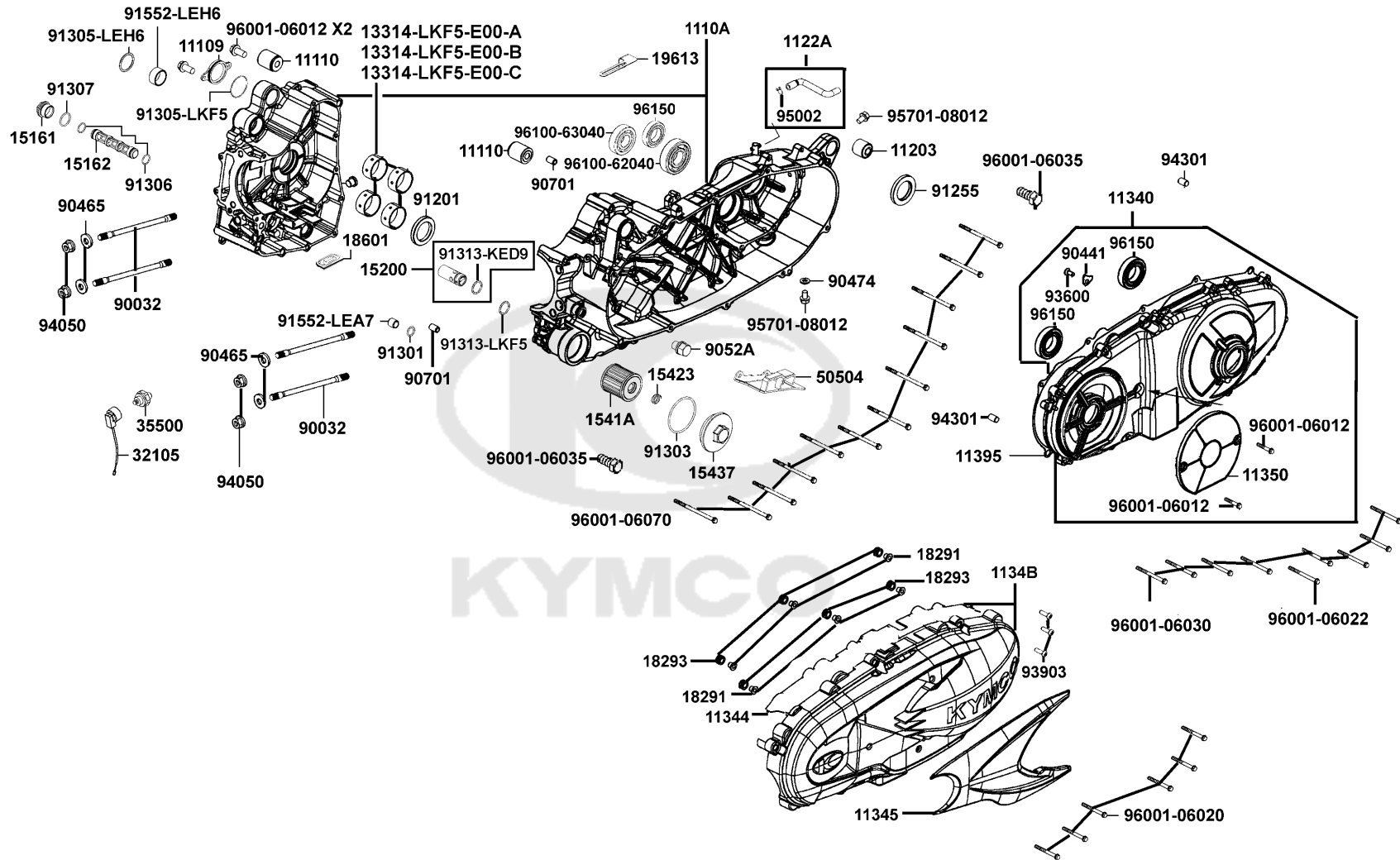


Sales mark	Ref no	Part no	Description	Reg description	Regd no	E01
	18291	18291-KKC4-900	COLLAR	COLLAR	6	
	18293	18293-KKC4-900	RUBBER	RUBBER	6	
	18601	18601-LKF5-E00	REED VALVE COMP.	REED VALVE COMP.	1	
	19613	19613-LEA7-E00	CLAMPER STARTER MOTOR CORD	CLAMPER STARTER MOTOR CORD	1	
	32105	32105-LLJ3-E00	SUB HARNESS	SUB HARNESS	1	
	35500	35500-KED9-900	SW ASSY OIL PRESSURE	SW ASSY OIL PRESSURE	1	
	50504	50504-LKF5-E00	STOPPER PLATE,MAIN STAND	STOPPER PLATE,MAIN STAND	1	
	90032	90032-LEA7-E00	BOLT B STUD 10*180	BOLT B STUD 10*180	4	
	90441	90441-LKF5-E00	PLATE, BRG. HOLD	PLATE, BRG. HOLD	1	
	90465	90465-LBA2-E00	WASHER 10.2 MM	WASHER 10.2 MM	4	
	90474	90474-3C33-001	WASHER 8MM	WASHER 8MM	1	
	9052A	9052A-LEB1-900	BOLT ASSY DRAIN PLUG	BOLT ASSY DRAIN PLUG	1	
	90701	90701-9E65-001	PIN DOWEL 10*16	PIN DOWEL 10*16	2	
	91201	91201-LEA7-E00	OIL SEAL 35*50*7	OIL SEAL 35*50*7	1	
	91255	91255-LKF5-E00	OIL SEAL 38X56X7	OIL SEAL 38X56X7	1	
	91301	91301-2L00-001	O-RING 6.8*1.9	O-RING 6.8*1.9	1	
	91303	91303-LEA7-E00	O-RING 52.5x2.5	O-RING 52.5x2.5	1	
	91305-LEH6	91305-LEH6-E00	O RING 19.8x1.9	O RING 19.8x1.9	1	
	91305-LKF5	91305-LKF5-E00	O-RING 48*1.8	O-RING 48*1.8	1	
	91306	91306-PUA5-E00	O-RING 13*1.5	O-RING 13*1.5	2	



E01

# Crank Case

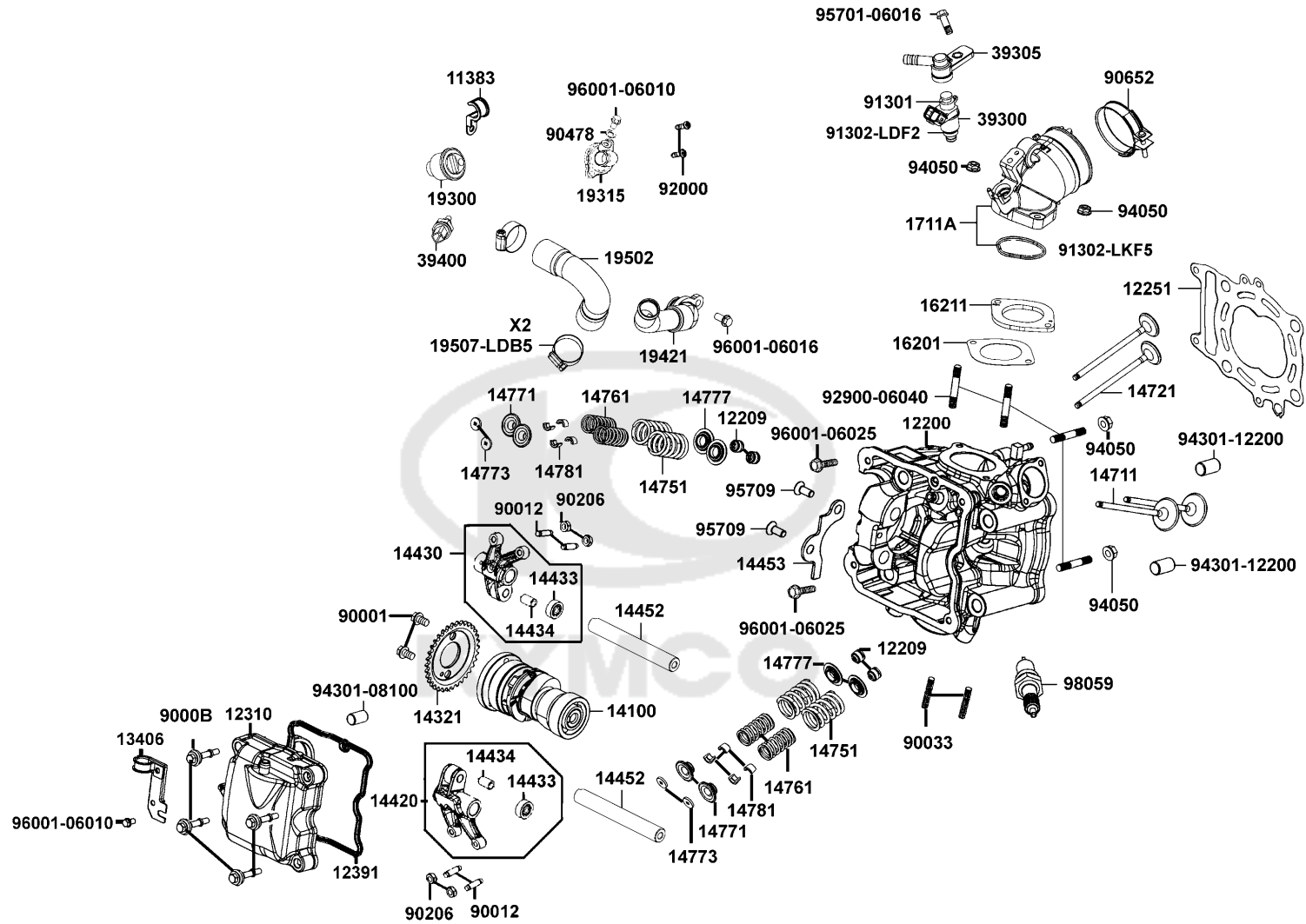


Sales mark	Ref no	Part no	Description	Reg description	Regd no	E01
	91307	91307-PUA5-E00	O-RING 18*2	O-RING 18*2	1	
	91313-KED9	91313-KED9-900	O-RING 15.5*1.5	O-RING 15.5*1.5	1	
	91313-LKF5	91313-LKF5-E00	O RING 14x2	O RING 14x2	1	
	91552-LEA7	91552-LEA7-E00	COLLAR.10.5MM	COLLAR.10.5MM	1	
	91552-LEH6	91552-LEH6-E00	COLLAR 20mm	COLLAR 20mm	1	
	93600	93600-LKF5-E00	BOLT FLAT SOCKET	BOLT FLAT SOCKET	1	
	93903	93903-25380	SCREW TAPPING 5*16	SCREW TAPPING 5*16	3	
	94050	94050-10060	NUT FLANGE 10MM	NUT FLANGE 10MM	4	
	94301	94301-10160	DOWEL PIN 10*16	DOWEL PIN 10*16	2	
	95002	95002-50000	CLIP C9 TUBE	CLIP C9 TUBE	2	
	95701-08012	95701-08012-06	BOLT FLANGE 8*12	BOLT FLANGE 8*12	2	
	96001-06012	96001-06012-08	BOLT FLANGE 6*12	BOLT FLANGE 6*12	4	
	96001-06020	96001-06020-06	BOLT FLANGE SH 6*20	BOLT FLANGE SH 6*20	6	
	96001-06022	96001-06022-08	BOLT FLANGE SH 6*22	BOLT FLANGE SH 6*20	1	
	96001-06030	96001-06030-08	BOLT FLANGE SH 6*30	BOLT FLANGE SH 6*30	8	
	96001-06035	96001-06035-08	BOLT FLANGE SH 6*35 (G)	BOLT FLANGE SH 6*35 (G)	2	
	96001-06070	96001-06070-06	BOLT FLANGE SH 6*70	BOLT FLANGE SH 6*70	12	
	96100-62040	96100-62040-00	BEARING BALL RADIAL 6204	BEARING BALL RADIAL 6204	1	
	96100-63040	96100-63040-00	BRG BALL RADIAL 6304	BRG BALL RADIAL 6304	1	
	96150	96150-60060-10	BEARING BALL RADIAL 6006	BEARING BALL RADIAL 6006	4	



Sales mark	Ref no	Part no	Description	Reg description	Regd no	E02
	11383	11383-KHE7-900	CLAMPER RR BRK HOSE	CLAMPER RR BRK HOSE	1	
	12200	12200-LKF5-E00	HEAD COMP.. CYLINDER	HEAD COMP.. CYLINDER	1	
	12209	12209-GDB4-68A	SEAL VALVE STEM	SEAL VALVE STEM	4	
	12251	12251-LKF5-E00	GASKET. CYLINDER HEAD	GASKET. CYLINDER HEAD	1	
	12310	12310-LKF5-E00	COVER COMP.. HEAD	COVER COMP.. HEAD	1	
	12391	12391-LKF5-E00	GASKET. CYLINDER HEAD COVER	GASKET. CYLINDER HEAD COVER	1	
	13406	13406-LEA7-E00	PLATE FUEL INJECTOR	PLATE FUEL INJECTOR	1	
	14100	14100-LKF5-E00	SHAFT COMP.. CAM	SHAFT COMP.. CAM	1	
	14321	14321-LEA7-E00	SPROCKET CAMSHAFT	SPROCKET CAMSHAFT	1	
	14420	14420-LKF5-E00	ARM COMP. EXH VALVE ROCKER	ARM COMP. EXH VALVE ROCKER	1	
	14430	14430-LKF5-E00	ARM COMP. IN VALVE ROCKER	ARM COMP. IN VALVE ROCKER	1	
	14433	14433-PTA1-900	ROCKER ASSY ROCKER ARM	ROCKER ASSY ROCKER ARM	2	
	14434	14434-PTA1-900	PIN ROCKER ARM	PIN ROCKER ARM	2	
	14452	14452-LKF5-E00	SHAFT, ROCKER ARM	SHAFT, ROCKER ARM	2	
	14453	14453-LKF5-E00	SET. PLATE. ROCKER ARM SHAFT	SET. PLATE. ROCKER ARM SHAFT	1	
	14711	14711-LKF5-E00	VALVE. INLET	VALVE. INLET	2	
	14721	14721-LKF5-E00	VALVE. EXHAUST	VALVE. EXHAUST	2	
	14751	14751-LKF5-E00	SPRING. VALVE OUTER	SPRING. VALVE OUTER	4	
	14761	14761-LKF5-E00	SPRING. VALVE INNER	SPRING. VALVE INNER	4	
	14771	14771-LKF5-E00	RETAINER. VALVE SPRING	RETAINER. VALVE SPRING	4	

# Cylinder Head Cover Cylinder Head

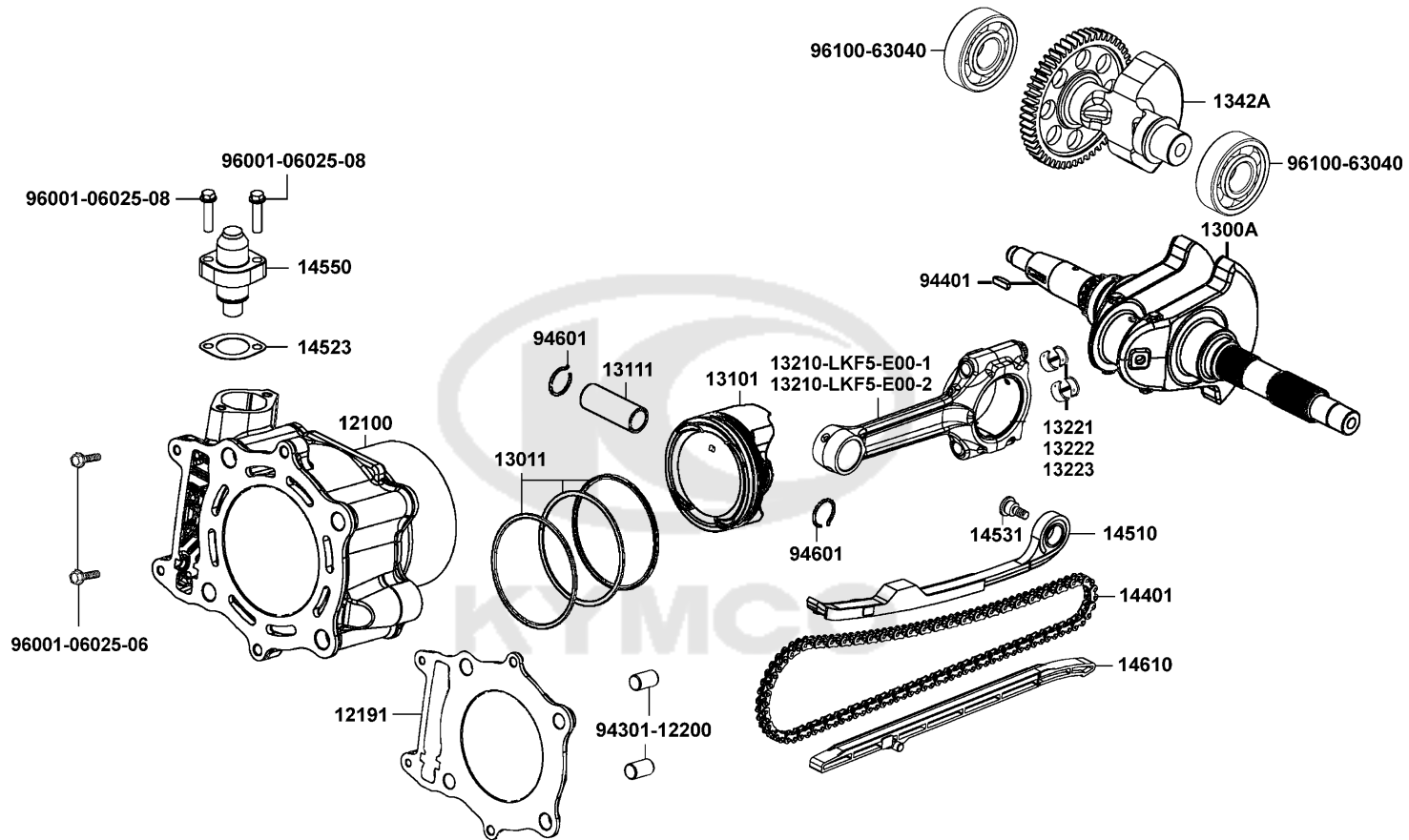


Sales mark	Ref no	Part no	Description	Reg description	Regd no	E02
	14773	14773-LKF5-E00	SHIM	SHIM	4	
	14777	14777-LBA2-E00	SEAT VALVE SPG	SEAT VALVE SPG	4	
	14781	14781-MFA6-001	COTTER VALVE	COTTER VALVE	8	
	16201	16201-LKF5-E00	GASKET. CARB INSULATOR @A	GASKET. CARB INSULATOR @A	1	
	16211	16211-LKF5-E00	INSULATOR. CARB	INSULATOR. CARB	1	
	1711A	1711A-LKF5-E00	PIPE ASSY.. INLET	PIPE ASSY.. INLET	1	
	19300	19300-KAE1-004	THERMOSTAT ASSY	THERMOSTAT ASSY	1	
	19315	19315-LKF5-E00	COVER, THERMOSTAT	COVER, THERMOSTAT	1	
	19421	19421-LKF5-E00	JOINT WATER HOSE	JOINT WATER HOSE	1	
	19502	19502-LKF5-E00	HOSE , B WATER	HOSE , B WATER	1	
	19507	19507-LDB5-E00	CLAMP D 28	CLAMP D 28	2	
	39300	39300-LDG7-M90	INJECTOR UNIT FUEL	INJECTOR UNIT FUEL	1	
	39305	39305-LKF5-E00	HOLDER. FUEL INJECTOR	HOLDER. FUEL INJECTOR	1	
	39400	39400-LDF2-800	WATER TEMP SENSOR	WATER TEMP SENSOR	1	
	90001	90001-GFY6-901	SOCKET BOLT 6*10	SOCKET BOLT 6*10	2	
	9000B	9000B-KHD6-900	BOLT ASSY SPECIAL 6*41.5	BOLT ASSY SPECIAL 6*41.5	4	
	90012	90012-LKF5-E00	SCREW TAPPET ADJUSTING	SCREW TAPPET ADJUSTING	4	
	90033	90033-GFY6-900	BOLT STUD 8*32	BOLT STUD 8*32	2	
	90206	90206-0A01-001	NUT TAPPET ADJG	NUT TAPPET ADJG	4	
	90478	90478-7L00-001	WASHER A 6MM	WASHER A 6MM	1	

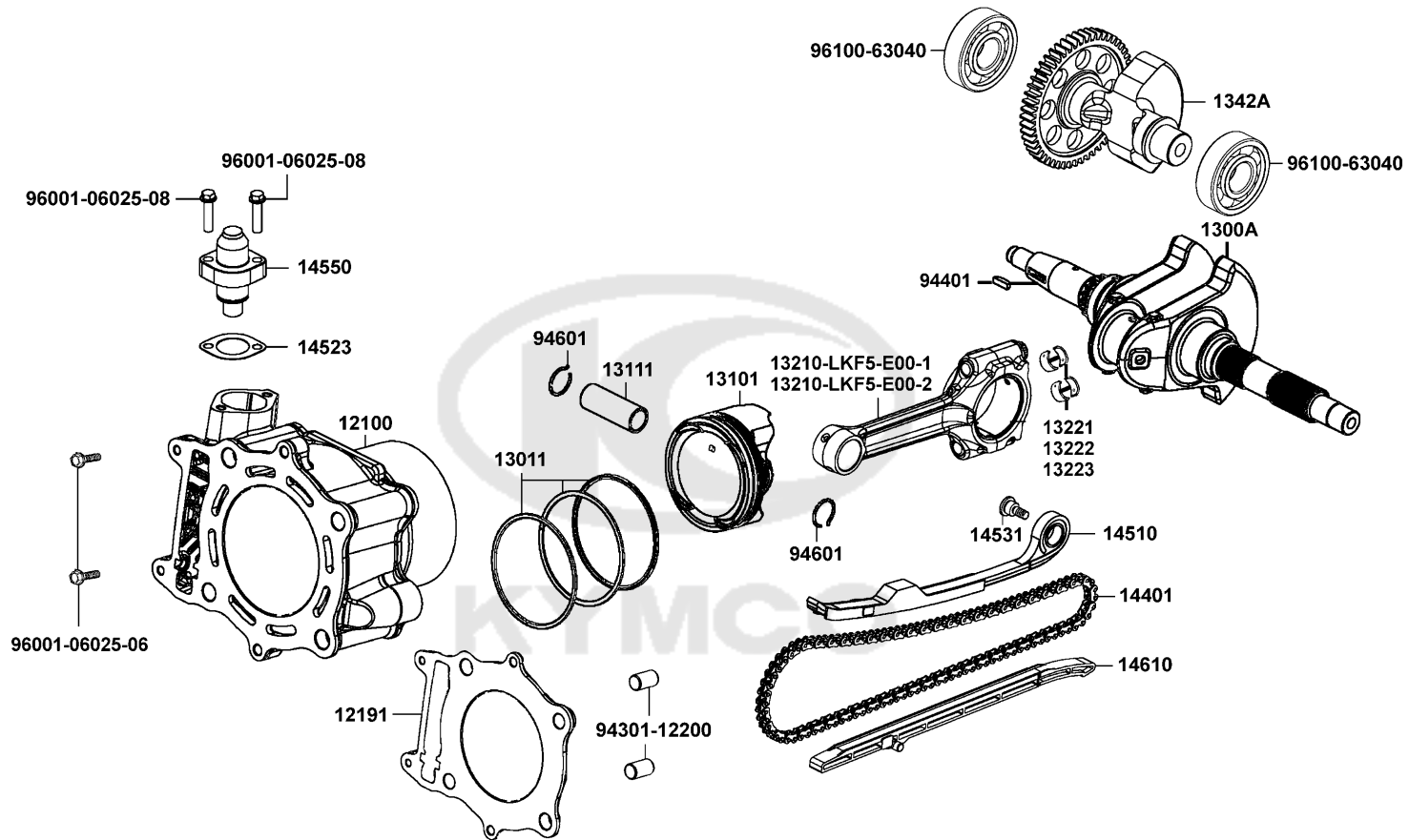



Sales mark	Ref no	Part no	Description	Reg description	Regd no	<b>E02</b>
90652		90652-LDG7-900	C-HOPE 10-59	C-HOPE 10-59	1	
91301		91301-LDF2-M90	O-RING 7.3*2.2	O-RING 7.3*2.2	1	
91302-LDF2		91302-LDF2-M90	SEAL RING	SEAL RING	1	
91302-LKF5		91302-LKF5-E00	SET RUBBER.	SET RUBBER.	1	
92000		92000-05016-0H	BOLT HEX 5*16	BOLT HEX 5*16	2	
92900		92900-06040-0E	BOLT STUD 6*40	BOLT STUD 6*40	4	
94050		94050-06080	NUT FLANGE 6MM	NUT FLANGE 6MM	4	
94301-08100		94301-08100	DOWEL PIN 8*10	DOWEL PIN 8*10	1	
94301-12200		94301-12200	DOWEL PIN 12*20	DOWEL PIN 12*20	2	
95701		95701-06016-08	BOLT FLANGE 6*16	BOLT FLANGE 6*16	1	
95709		95709-PRA1-E00	SCREW COUNTERSUNK M6*12	SCREW COUNTERSUNK M6*12	2	
96001-06010		96001-06010-00	BOLT FLANGE SH 6X10	BOLT FLANGE SH 6X10	2	
96001-06016		96001-06016-06	BOLT FLANGE SH 6*16	BOLT FLANGE SH 6*16	2	
96001-06025		96001-06025-06	BOLT FLANGE SH 6*25	BOLT FLANGE 6*25	2	
98059		98059-57916-00	SPARK PLUG CR7E	SPARK PLUG CR7E	1	





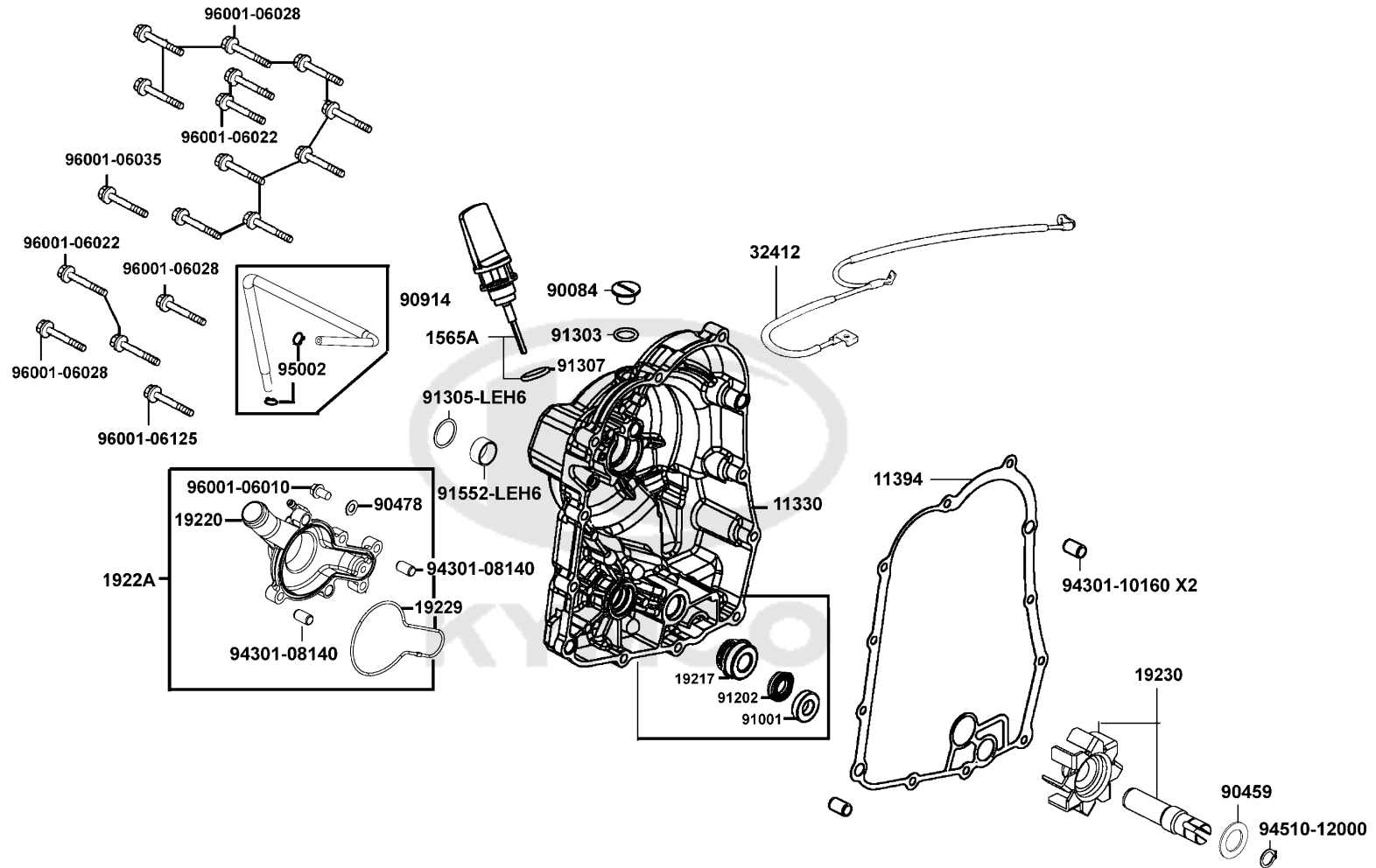
Sales mark	Ref no	Part no	Description	Reg description	Regd no	E03
	12100	12100-LKF5-E00	CYLINDER COMP	CYLINDER COMP	1	
	12191	12191-LKF5-E00	GASKET CYLINDER	GASKET CYLINDER	1	
	1300A	1300A-LKF5-E00	CRANK SHAFT COMP	CRANK SHAFT COMP	1	
	13011	13011-LKF5-E00	RING SET, PISTON	RING SET, PISTON	1	
	13101	13101-LKF5-E00	PISTON	PISTON	1	
	13111	13111-LKF5-E00	PIN. PISTON	PIN. PISTON	1	
	13210-LKF5-E00-1	13210-LKF5-E00-1	CONN. ROD ASSY	CONN. ROD ASSY	1	
	13210-LKF5-E00-2	13210-LKF5-E00-2	CONN. ROD ASSY	CONN. ROD ASSY	1	
	13221	13221-LKF5-E00	BEARING, CONN. ROD(1.495~1.498)	BEARING, CONN. ROD(1.495~1.498)	2	
	13222	13222-LKF5-E00	BEARING, CONN. ROD(1.491~1.494)	BEARING, CONN. ROD(1.491~1.494)	1	
	13223	13223-LKF5-E00	BEARING, CONN. ROD(1.486~1.490)	BEARING, CONN. ROD(1.486~1.490)	2	
	1342A	1342A-LKF5-E01	SHAFT COMP.. BALANCER	SHAFT COMP.. BALANCER	1	
	14401	14401-PWB1-900	CHAIN CAM	CHAIN CAM	1	
	14510	14510-LKF5-E01	TENSIONER. CAM CHAIN	TENSIONER. CAM CHAIN	1	
	14523	14523-PRA1-E00	GASKET CHAIN TENSIONER	GASKET CHAIN TENSIONER	1	
	14531	14531-KHE7-900	PIVOT CAM CHAIN TENSIONER	PIVOT CAM CHAIN TENSIONER	1	
	14550	14550-LKF5-E00	CHAIN TENSIONER	CHAIN TENSIONER	1	
	14610	14610-LEA7-E00	GUIDE COMP CAM CHAIN	GUIDE COMP CAM CHAIN	1	
	94301	94301-12200	DOWEL PIN 12*20	DOWEL PIN 12*20	2	
	94401	94401-25140	WOODRUFF KEY 25*14	WOODRUFF KEY 25*14	1	



Sales mark	Ref no	Part no	Description	Reg description	Regd no	<b>E03</b>
	94601	94601-PSA6-E00	CIRCLIP PISTON PIN 20MM	CIRCLIP PISTON PIN 20MM	2	
	96001-06025-06	96001-06025-06	BOLT FLANGE SH 6*25	BOLT FLANGE 6*25	2	
	96001-06025-08	96001-06025-08	BOLT FLANGE SH 6*25	BOLT FLANGE SH 6*25	2	
	96100	96100-63040-00	BRG BALL RADIAL 6304	BRG BALL RADIAL 6304	2	
						

E04

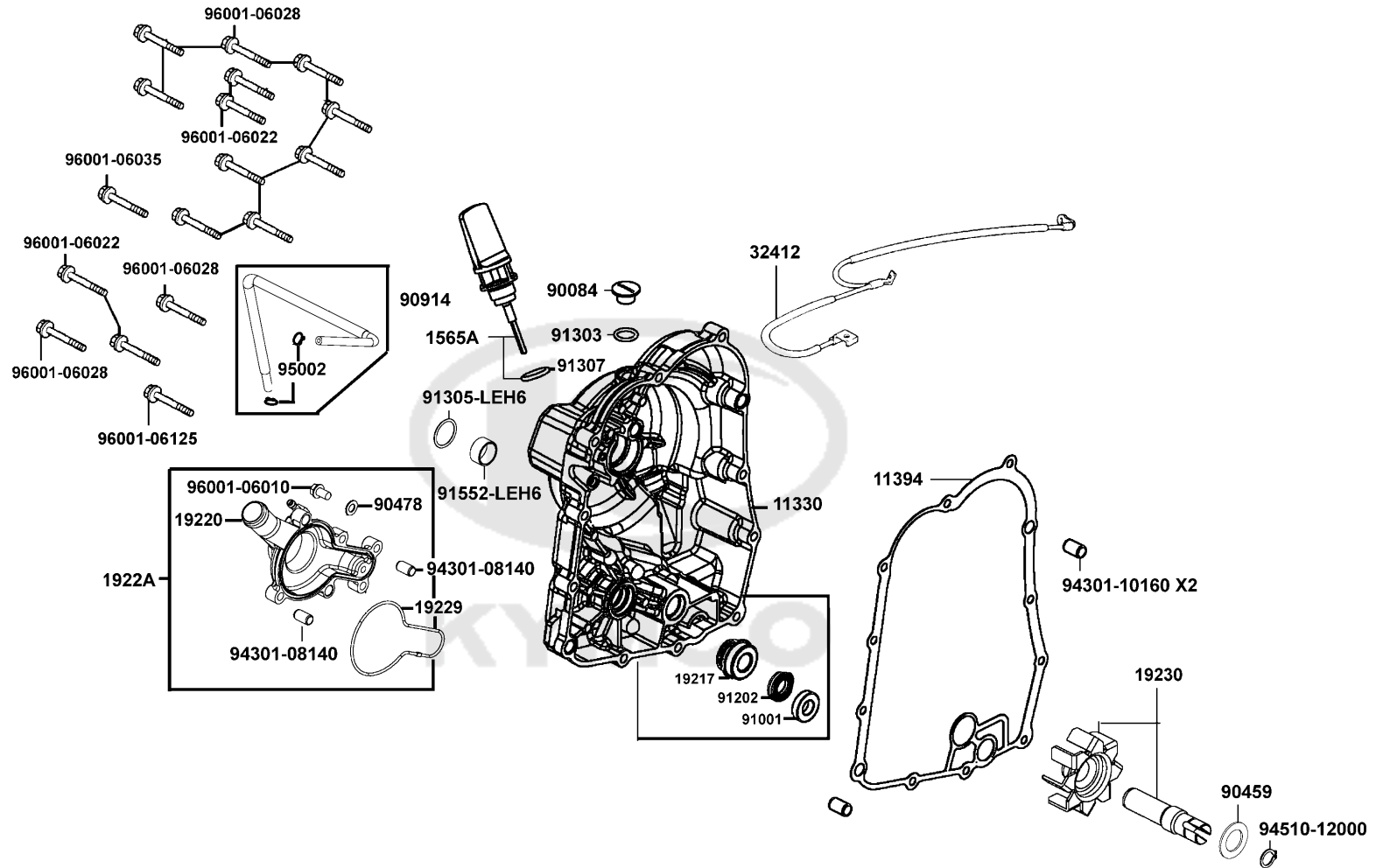
# Right Crankcase Cover Water Pump



Sales mark	Ref no	Part no	Description	Reg description	Regd no	E04
**	11330	11330-LKF5-E00	COVER COMP R CRANK CASE	COVER COMP R CRANK CASE	1	
	11394	11394-LKF5-E00	GASKET R COVER	GASKET, R COVER	1	
	1565A	1565A-LBA2-E00	GAUGE OIL LEVEL ASSY	GAUGE OIL LEVEL ASSY	1	
	19217	19217-6G57-024	SEAL MECHANICAL	SEAL MECHANICAL	1	
**	19220	19220-LKF5-305	COVER, WATER PUMP	COVER, WATER PUMP	1	
	19229	19229-LKF5-E00	O-RING, WATER PUMP	O-RING, WATER PUMP	1	
**	1922A	1922A-LKF5-E00	COVER ASSY., WATER PUMP	COVER ASSY., WATER PUMP	1	
	19230	19230-LKF5-E00	ASSY WATER PUMP	ASSY WATER PUMP	1	
	32412	32412-LKF5-E00	CABLE. EARTH	CABLE. EARTH	1	
	90084	90084-KKF9-901	CAP ACG	CAP AC GENERATOR	1	
	90459	90459-LKF5-E00	WASHER 12MM	WASHER 12MM	1	
	90478	90478-7L00-001	WASHER A 6MM	WASHER A 6MM	1	
	90914	90914-LKF5-E00	TUBE ASSY,WATER	TUBE ASSY,WATER	1	
	91001	91001-KKJ9-006	BRG BALL RADIAL 6901	BRG BALL RADIAL 6901	1	
	91202	91202-LKG2-900	OIL SEAL 13.7*24*5	OIL SEAL 13.7*24*5	1	
	91303	91303-3G77-001	O-RING 13.8*2.5	O-RING 13.8*2.5	1	
	91305-LEH6	91305-LEH6-E00	O RING 19.8x1.9	O RING 19.8x1.9	1	
	91307	91307-0E35-001	O RING 18*3	O RING 18*3	1	
	91552-LEH6	91552-LEH6-E00	COLLAR 20mm	COLLAR 20mm	1	
	94301-08140	94301-08140	DOWEL PIN 8*14	DOWEL PIN 8*14	2	

E04

# Right Crankcase Cover Water Pump



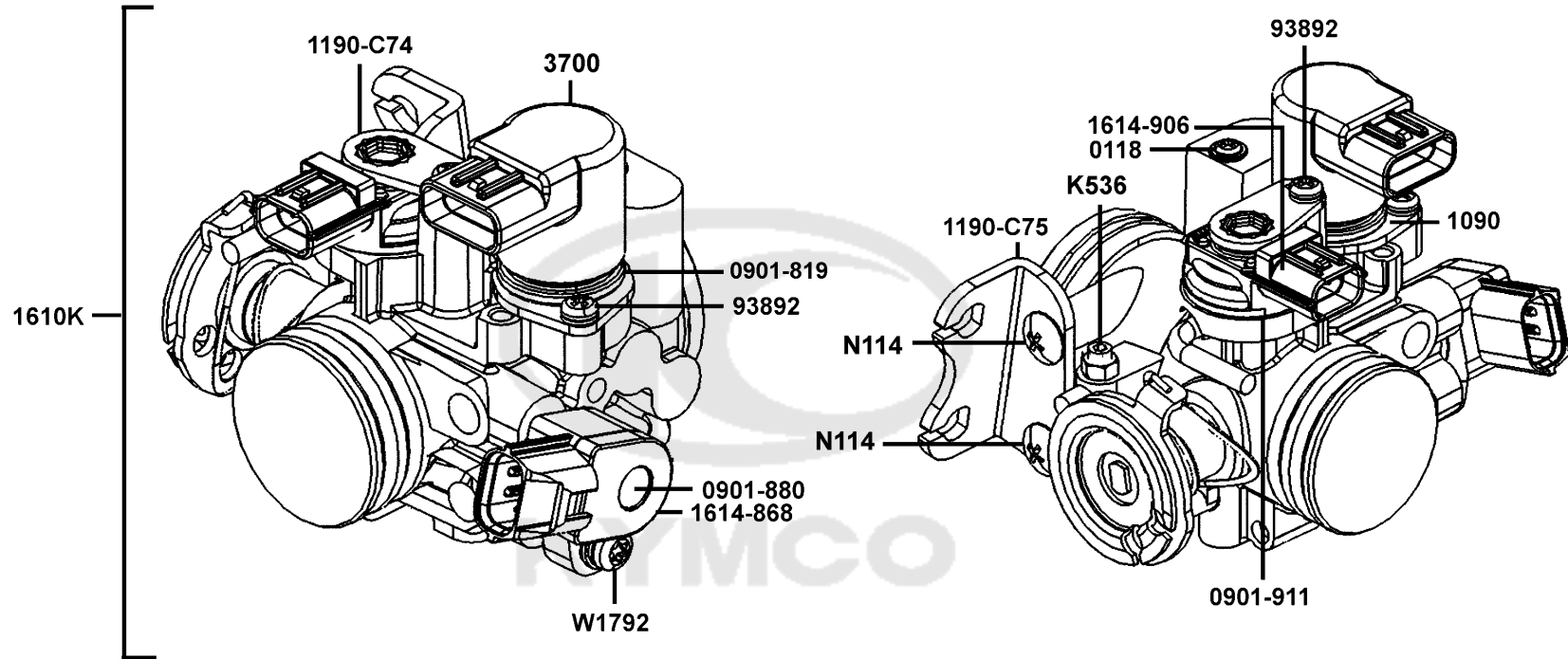
Sales mark	Ref no	Part no	Description	Reg description	Regd no	<b>E04</b>
	94301-10160	94301-10160	DOWEL PIN 10*16	DOWEL PIN 10*16	2	
	94510-12000	94510-12000	CIR CLIP EXTERNAL 12	CIR CLIP EXTERNAL 12	1	
	95002	95002-02070	CLIP B7 TUBE	CLIP B7 TUBE	2	
	96001-06010	96001-06010-00	BOLT FLANGE SH 6X10	BOLT FLANGE SH 6X10	1	
	96001-06022	96001-06022-06	BOLT FLANGE SH 6*22 (G)	BOLT FLANGE SH 6*22 (G)	4	
	96001-06028	96001-06028-06	BOLT FLANGE SH 6*28	BOLT FLANGE SH 6*28	12	
	96001-06035	96001-06035-06	BOLT FLANGE SH 6*35	BOLT FLANGE SH 6*35	1	
	96001-06125	96001-06125-06	BOLT FLANGE SH 6*125	BOLT FLANGE SH 6*125	1	





E05

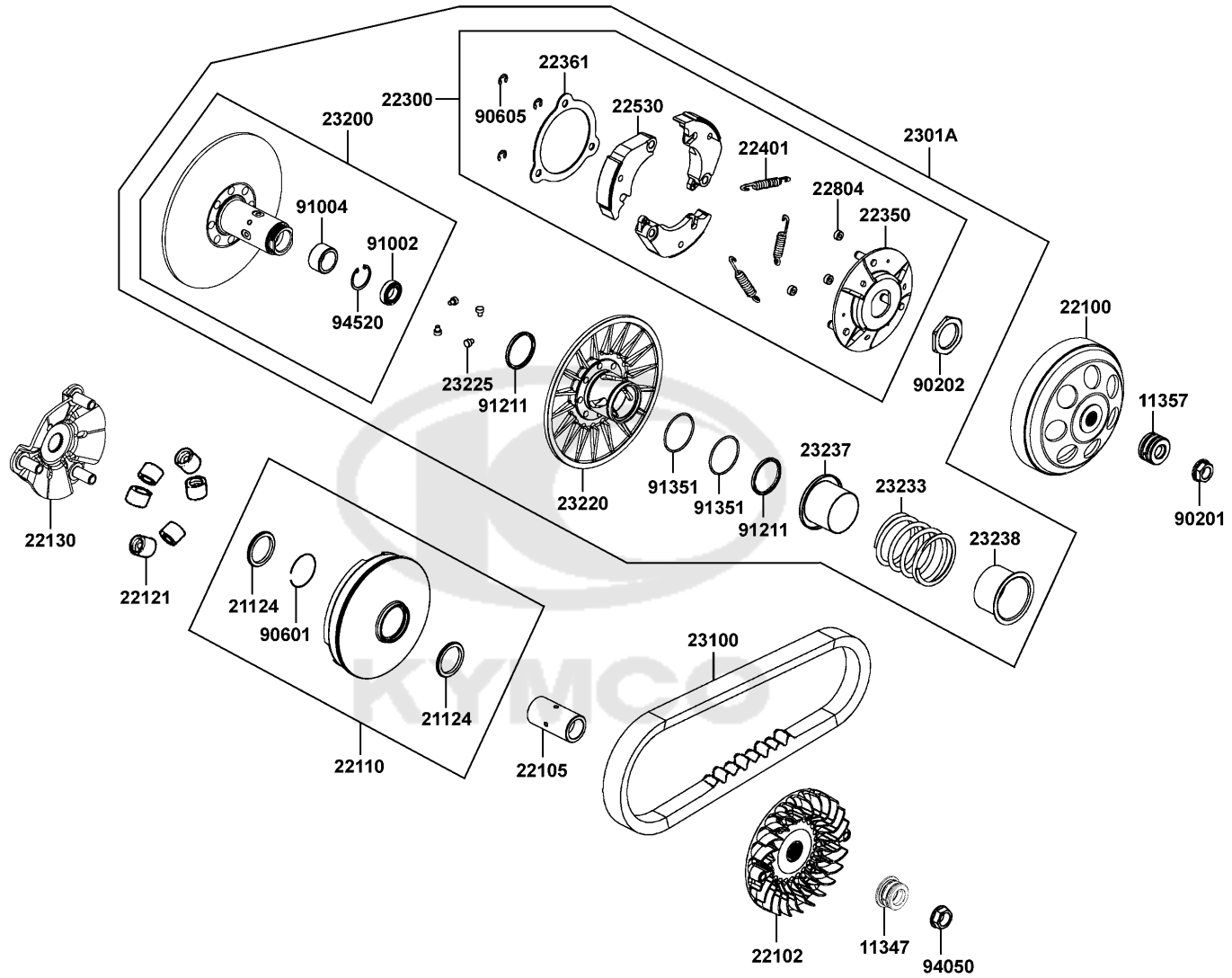
# Throttle Body Assy



Sales mark	Ref no	Part no	Description	Reg description	Regd no	<b>E05</b>
0118		0118-814-1100	SCREW SET	SCREW SET	1	
0901-819		0901-819-6001	O-RING	O-RING	1	
0901-880		0901-880-6000	O-RING/TPS	O-RING/TPS	1	
0901-911		0901-911-6000	O-RING	O-RING	1	
1090		1090-873-2001	SET PLATE	SET PLATE	1	
1190-C74		1190-C74-2000	STAY PLATE	STAY PLATE	1	
1190-C75		1190-C75-2000	BRACKET / THROTTLE CABLE	BRACKET / THROTTLE CABLE	1	
1610K		1610K-LKF5-E00	THROTTLE BODY ASSY	THROTTLE BODY ASSY	1	
1614-868		1614-868-0000	THROTTLE POSITION SENSER	THROTTLE POSITION SENSER	1	
1614-906		1614-906-0002	MAP SENSOR	MAP SENSOR	1	
3700		3700-A35B-0110	ISC VALVE	ISC VALVE	1	
93892		93892-04008-18	SCREW WASHER 4*8	SCREW WASHER 4*8	2	
K536		K536-174-0200	SCREW SET	SCREW SET	1	
N114		N114-05103-3	SCREW WASHER	SCREW WASHER	2	
W1792		W1792-048-9901	SCREW TORX M5*0.8/TPS	SCREW TORX M5*0.8/TPS	1	

E06

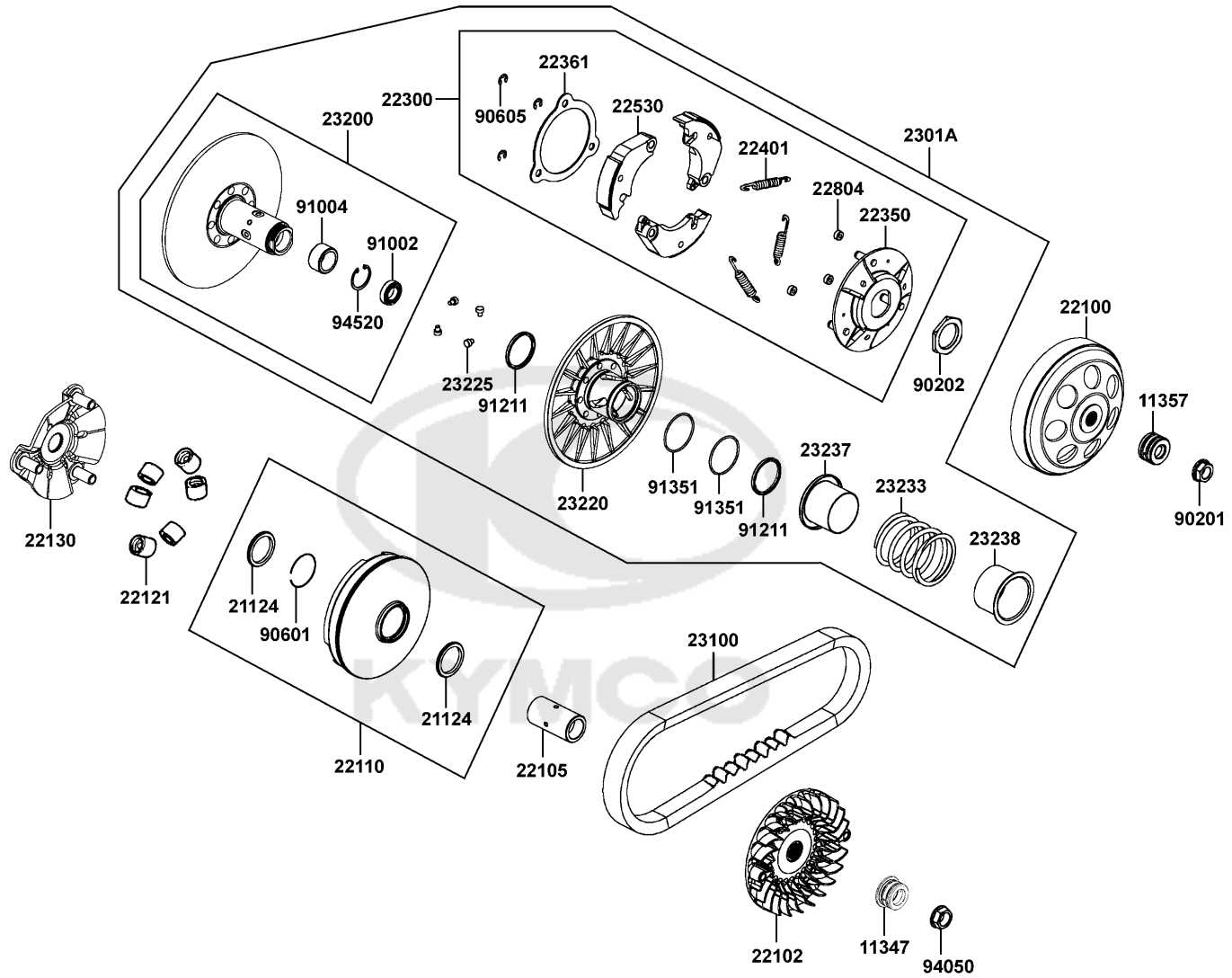
# Drive Pulley



Sales mark	Ref no	Part no	Description	Reg description	Regd no	<b>E06</b>
11347		11347-LKF5-E00	BOSS DRIVE SHAFT	BOSS DRIVE SHAFT	1	
11357		11357-LKF5-E00	BOSS DRIVE SHAFT	BOSS DRIVE SHAFT	1	
21124		21124-LKF5-E00	OIL SEAL 35*45*4	OIL SEAL 35*45*4	2	
22100		22100-LKF5-E00	OUTER COMP.. CLUTCH	OUTER COMP.. CLUTCH	1	
22102		22102-LKF5-E00	FACE COMP.. DRIVE	FACE COMP.. DRIVE	1	
22105		22105-LKF5-E00	BOSS. DRIVE FACE	BOSS. DRIVE FACE	1	
22110		22110-LKF5-E00	FACE COMP MOVABLE DRIVE	FACE COMP.. MOVABLE DRIVE	1	
22121		22121-LKF5-E00	ROLLER COMP WEIGHT	ROLLER COMP WEIGHT	6	
22130		22130-LKF5-E00	RAMP PLATE COMP.	RAMP PLATE COMP.	1	
22300		22300-LKF5-E00	PLATE ASSY.. DRIVE	PLATE ASSY.. DRIVE	1	
22350		22350-LKF5-E00	PLATE COMP.. DRIVE	PLATE COMP.. DRIVE	1	
22361		22361-LKF5-E00	PLATE. CLUTCH SIDE	PLATE. CLUTCH SIDE	1	
22401		22401-LKF5-E00	SPRING. CLUTCH	SPRING. CLUTCH	3	
22530		22530-LKF5-E00	WEIGHT. CLUTCH	WEIGHT. CLUTCH	3	
22804		22804-GBB2-001	RUBBER CLUTCH DAMPER	RUBBER CLUTCH DAMPER	3	
2301A		2301A-LKF5-E00	PULLEY SUB ASSY.. DRIVEN	PULLEY SUB ASSY.. DRIVEN	1	
23100		23100-LKF5-E01	BELT DRIVE(E100)/(N-6M)	BELT DRIVE(E100)/(N-6M)	1	
23200		23200-LKF5-E00	FACE ASSY.. DRIVEN	FACE ASSY.. DRIVEN	1	
23220		23220-LKF5-E00	FACE COMP.. MOVABLE DRIVEN	FACE COMP.. MOVABLE DRIVEN	1	
23225		23225-LKF5-E00	PIN ROLLER GUIDE	PIN ROLLER GUIDE	4	

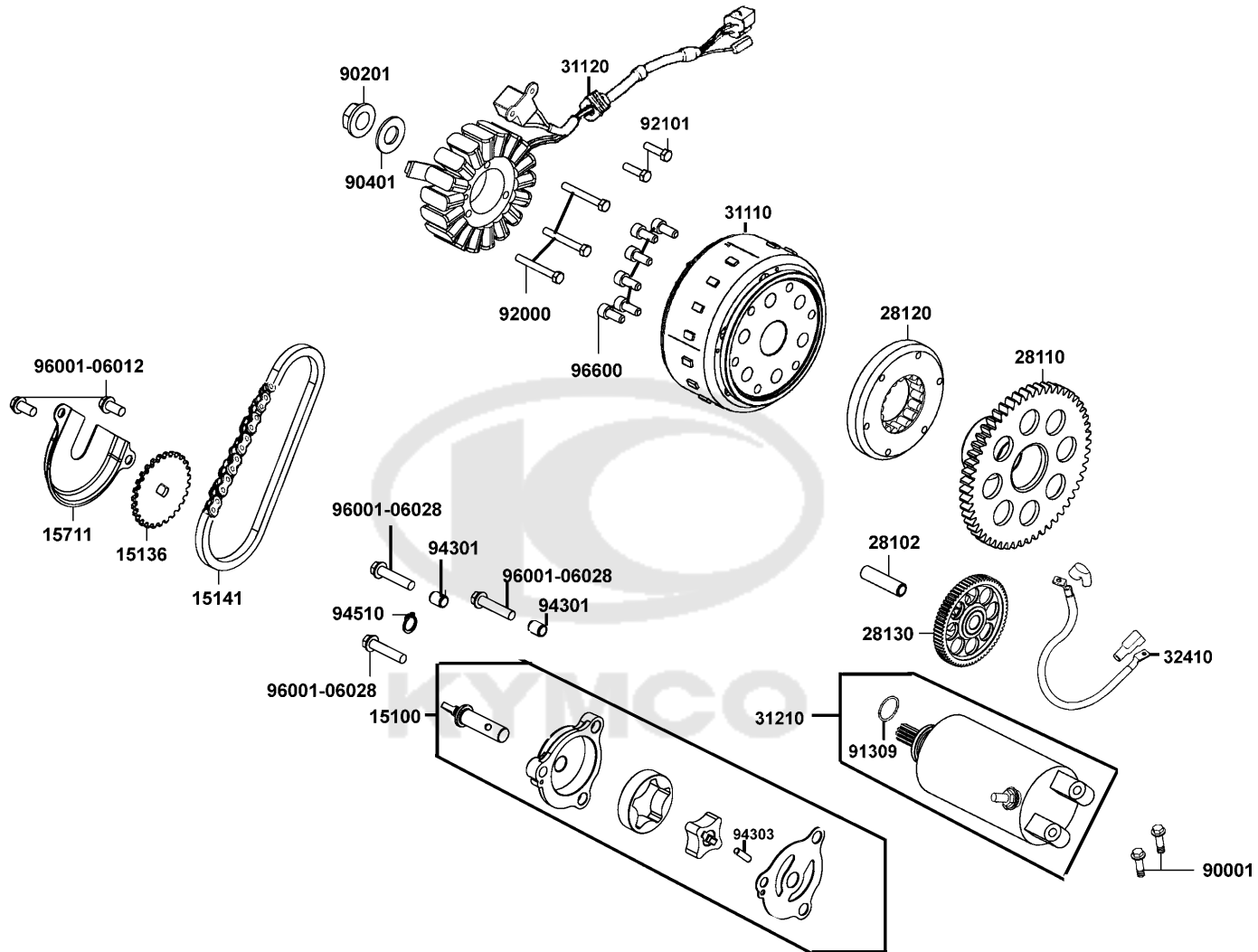
E06

# Drive Pulley



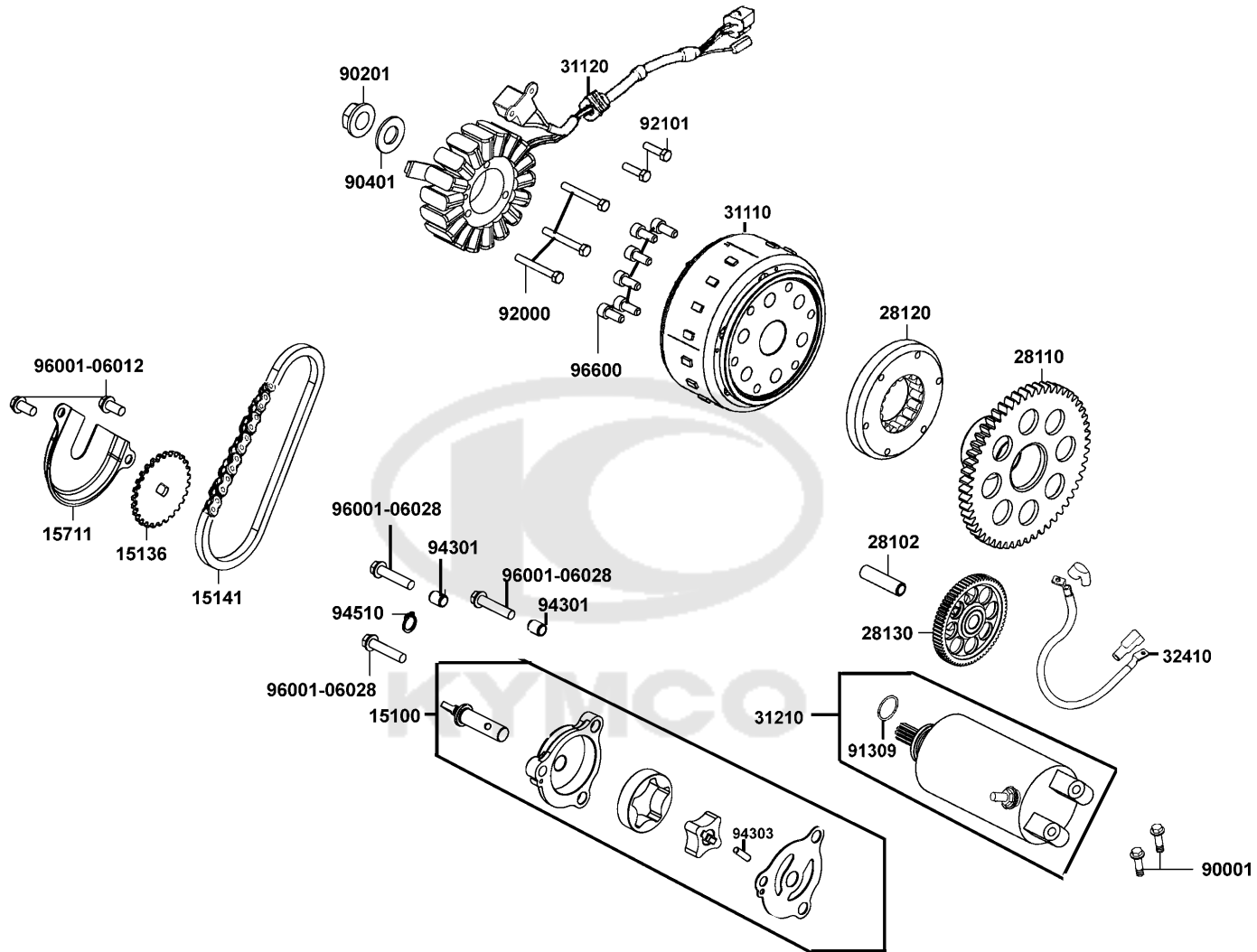
Sales mark	Ref no	Part no	Description	Reg description	Regd no	E06
23233		23233-LKF5-E00	SPG.. DRIVEN FACE	SPG.. DRIVEN FACE	1	
23237		23237-LKF5-E00	COLLAR SEAL	COLLAR SEAL	1	
23238		23238-LKF5-E01	COLLAR SPG	COLLAR SPG	1	
90201		90201-LKF5-E00	NUT. HEX	NUT. HEX	1	
90202		90202-LDB5-E00	NUT SPECIAL 36MM	NUT SPECIAL 36MM	1	
90601		90601-LKF5-E00	TUBE NULL	TUBE NULL	1	
90605		90605-1F66-721	CIR CLIP 7MM	CIR CLIP 7MM	3	
91002		91002-LKF5-E00	SET RING	SET RING	1	
91004		91004-LBA2-E00	BRG NDL 25*33*18	BRG NDL 25*33*18	1	
91211		91211-LDB5-E00	SEAL DRIVEN FACE 40.2*47*4	SEAL DRIVEN FACE 40.2*47*4	2	
91351		91351-LDB5-E00	O-RING PINION CAP	O-RING PINION CAP	2	
94050		94050-LKF5-E00	NUT FLANGE 18MM	NUT FLANGE 18MM	1	
94520		94520-30000	CIR CLIP IN 30	CIR CLIP IN 30	1	

Starting Motor Generator



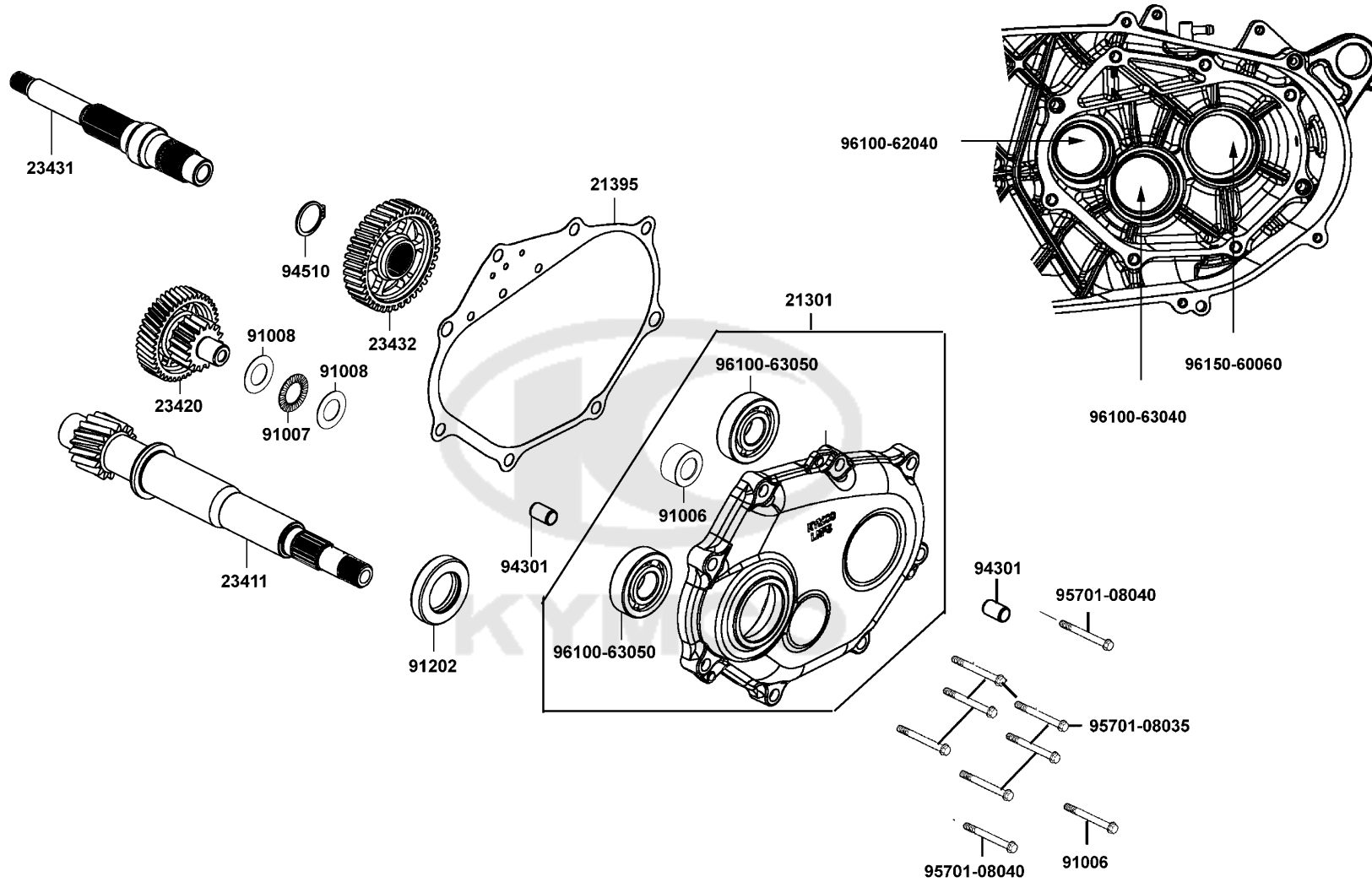
Sales mark	Ref no	Part no	Description	Reg description	Regd no	<b>E07</b>
15100		15100-LKF5-E00	PUMP ASSY., OIL	PUMP ASSY., OIL	1	
15136		15136-KKE5-E00	SPROCKET W/P DRIVE	SPROCKET W/P DRIVE	1	
15141		15141-LKF5-E00	CHAIN, OIL PUMP	CHAIN, OIL PUMP	1	
15711		15711-LKF5-E00	SEPARATOR OIL	SEPARATOR OIL	1	
28102		28102-LEA7-E00	SHAFT STARTER REDUCTION	SHAFT STARTER REDUCTION	1	
28110		28110-LKF5-E00	GEAR COMP., STARTING CLUTCH	GEAR COMP., STARTING CLUTCH	1	
28120		28120-LKF5-E00	OUTER COMP.. STARTING CLUTCH	OUTER COMP.. STARTING CLUTCH	1	
28130		28130-LKF5-E00	GEAR COMP.. REDUCTION	GEAR COMP.. REDUCTION	1	
31110		31110-LKF5-E00	FLYWHEEL COMP.	FLYWHEEL COMP.	1	
31120		31120-LKF5-E00	STATOR COMP.	STATOR COMP.	1	
31210		31210-LKF5-E00	MOTOR UNIT STARTER	MOTOR UNIT. STARTER	1	
32410		32410-LKF5-E00	CABLE. START MOTOR	CABLE. START MOTOR	1	
90001		90001-GBHB-661	BOLT FLANGE SH 6*22	BOLT FLANGE SH 6*22	2	
90201		90201-KHR8-75A	NUT FLANGE 14MM	NUT FLANGE 14MM	1	
90401		90401-KKJ9-001	WASHER THRUST 14*28*2	WASHER THRUST 14*28*2	1	
91309		91309-4E25-004	O-RING 24.4*3.1	O-RING 24.4*3.1	1	
92000		92000-LEA6-900	BOLT HEX 5*40	BOLT HEX 5*40	3	
92101		92101-05012-0H	BOLT HEX 5*12	BOLT HEX 5*12	2	
94301		94301-08100	DOWEL PIN 8*10	DOWEL PIN 8*10	2	
94303		94303-04160	PIN 4x16	PIN 4x16	1	





Sales mark	Ref no	Part no	Description	Reg description	Regd no	<b>E07</b>
	94510	94510-10000	CIR CLIP EX 10MM	CIR CLIP EX 10MM	1	
	96001-06012	96001-06012-08	BOLT FLANGE 6*12	BOLT FLANGE 6*12	2	
	96001-06028	96001-06028-06	BOLT FLANGE SH 6*28	BOLT FLANGE SH 6*28	3	
	96600	96600-06015-10	SOCKET BOLT 6*15	SOCKET BOLT 6*15 (B)	6	

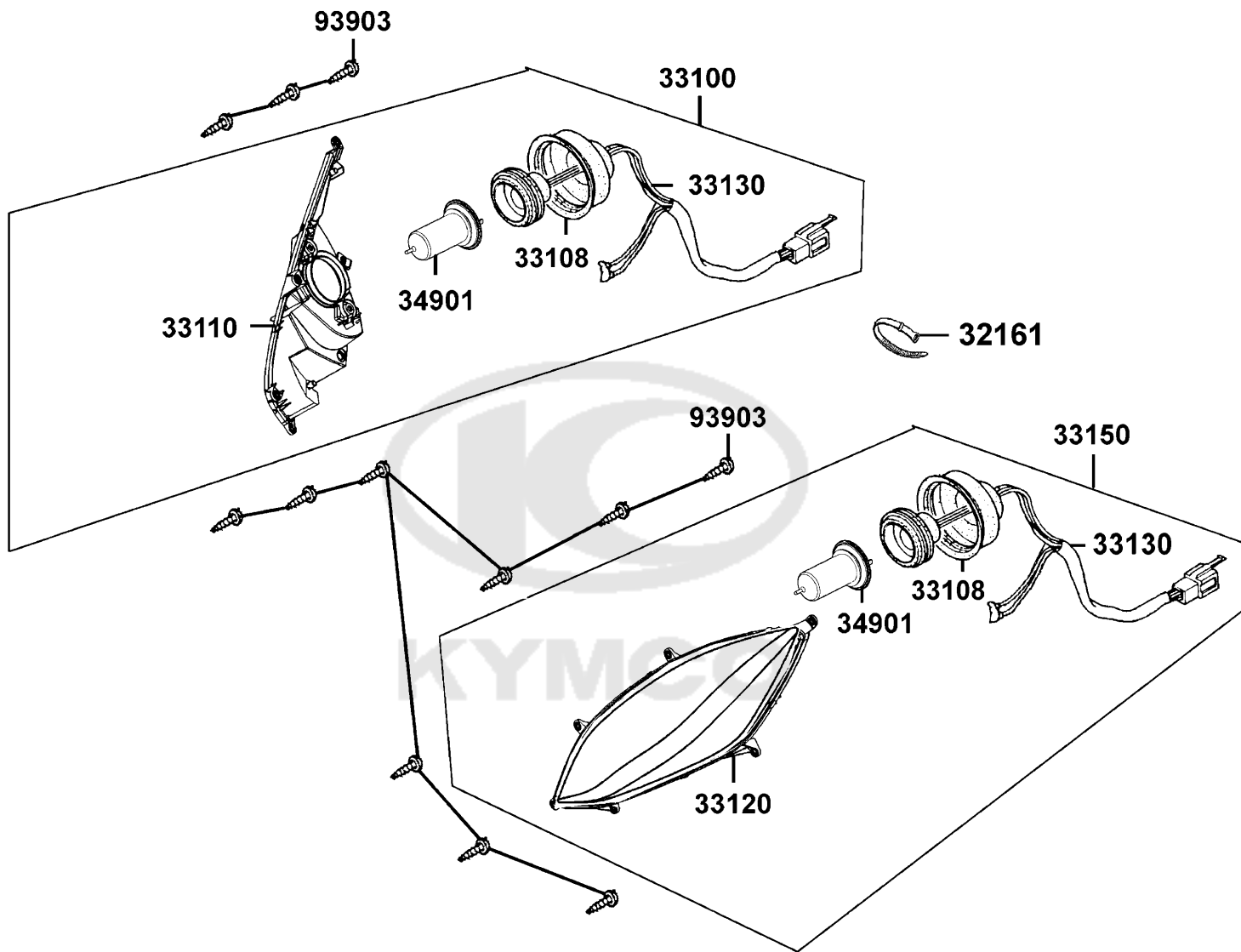




Sales mark	Ref no	Part no	Description	Reg description	Regd no	E08
	21301	21301-LKF5-305	COVER. MISSION	COVER. MISSION	1	
	21395	21395-LKF5-E00	GASKET. MISSION CASE	GASKET. MISSION CASE	1	
	23411	23411-LKF5-E00	SHAFT. DRIVE	SHAFT. DRIVE	1	
	23420	23420-LKF5-E00	SHAFT COMP.. COUNTER	SHAFT COMP.. COUNTER	1	
	23431	23431-LKF5-E00	SHAFT. FINAL	SHAFT. FINAL	1	
	23432	23432-LKF5-E00	GEAR. FINAL	GEAR. FINAL	1	
	91006	91006-LKF5-E00	BEARING NK20X34X18	BEARING NK20X34X18	1	
	91007	91007-LKF5-E00	BEARING AXK1104	BEARING AXK1104	1	
	91008	91008-LKF5-E00	PLATE ,BEARING	PLATE ,BEARING	2	
	91202	91202-LEA7-E00	OIL SEAL 25*35*6	OIL SEAL 25*35*6	1	
	91202	91202-LEA7-E0A	OIL SEAL 25*35*6	OIL SEAL 25*35*6	1	
	94301	94301-10160	DOWEL PIN 10*16	DOWEL PIN 10*16	2	
	94510	94510-29000	CIR CLIP EX 29	CIR CLIP EX 29	1	
	95701-08035	95701-08035-08	BOLT FLANGE 8*35	BOLT FLANGE 8*35	6	
	95701-08040	95701-08040-08	BOLT FLANGE 8*40	BOLT FLANGE 8*40	2	
	96100-62040	96100-62040-00	BEARING BALL RADIAL 6204	BEARING BALL RADIAL 6204	1	
	96100-63040	96100-63040-00	BRG BALL RADIAL 6304	BRG BALL RADIAL 6304	1	
	96100-63050	96100-63050-00	BRG BALL RADIAL 6305	BRG BALL RADIAL 6305	2	
	96150-60060	96150-60060-10	BEARING BALL RADIAL 6006	BEARING BALL RADIAL 6006	1	

F01

# Head Light

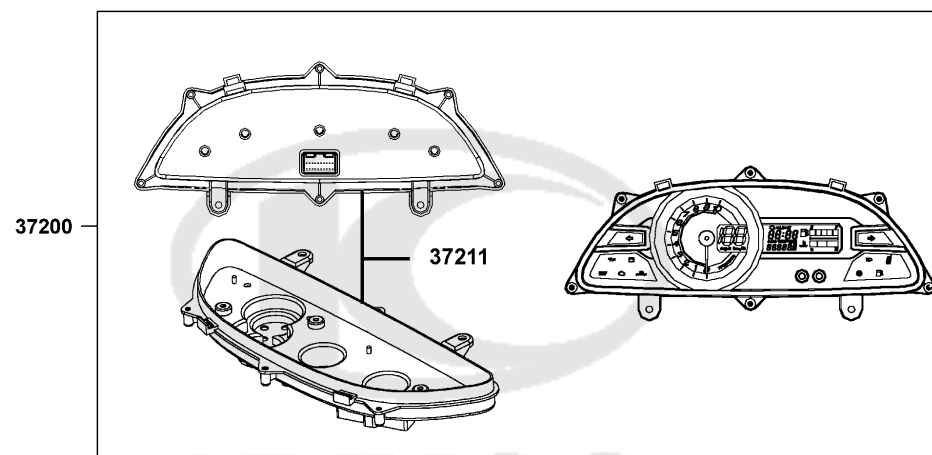


Sales mark	Ref no	Part no	Description	Reg description	Regd no	F01
	32161	32161-LBA7-900	BAND WIRE	BAND WIRE	1	
	33100	33100-LGR2-E00	LIGHT ASSY HEAD RH	LIGHT ASSY HEAD RH	1	
	33108	33108-KHE7-E00	COVER A RUBBER	COVER A RUBBER	2	
	33110	33110-LGR2-E00	UNIT HEAD LIGHT R	UNIT HEAD LIGHT R	1	
	33120	33120-LGR2-E00	UNIT HEAD LIGHT L	UNIT HEAD LIGHT L	1	
	33130	33130-LGR2-E00	SOCKET COMP R	SOCKET COMP	2	
	33150	33150-LGR2-E00	LIGHT ASSY HEAD LH	LIGHT ASSY HEAD LH	1	
	34901	34901-KFA6-900	BULB HEAD LIGHT	BULB HEAD LIGHT	2	
	93903	93903-35320	SCREW TAPPING 5*16	SCREW TAPPING 5*16	12	



F02

Speed meter



93903-35320

93903-35320

Sales mark	Ref no	Part no	Description	Reg description	Regd no	<b>F02</b>
------------	--------	---------	-------------	-----------------	---------	------------

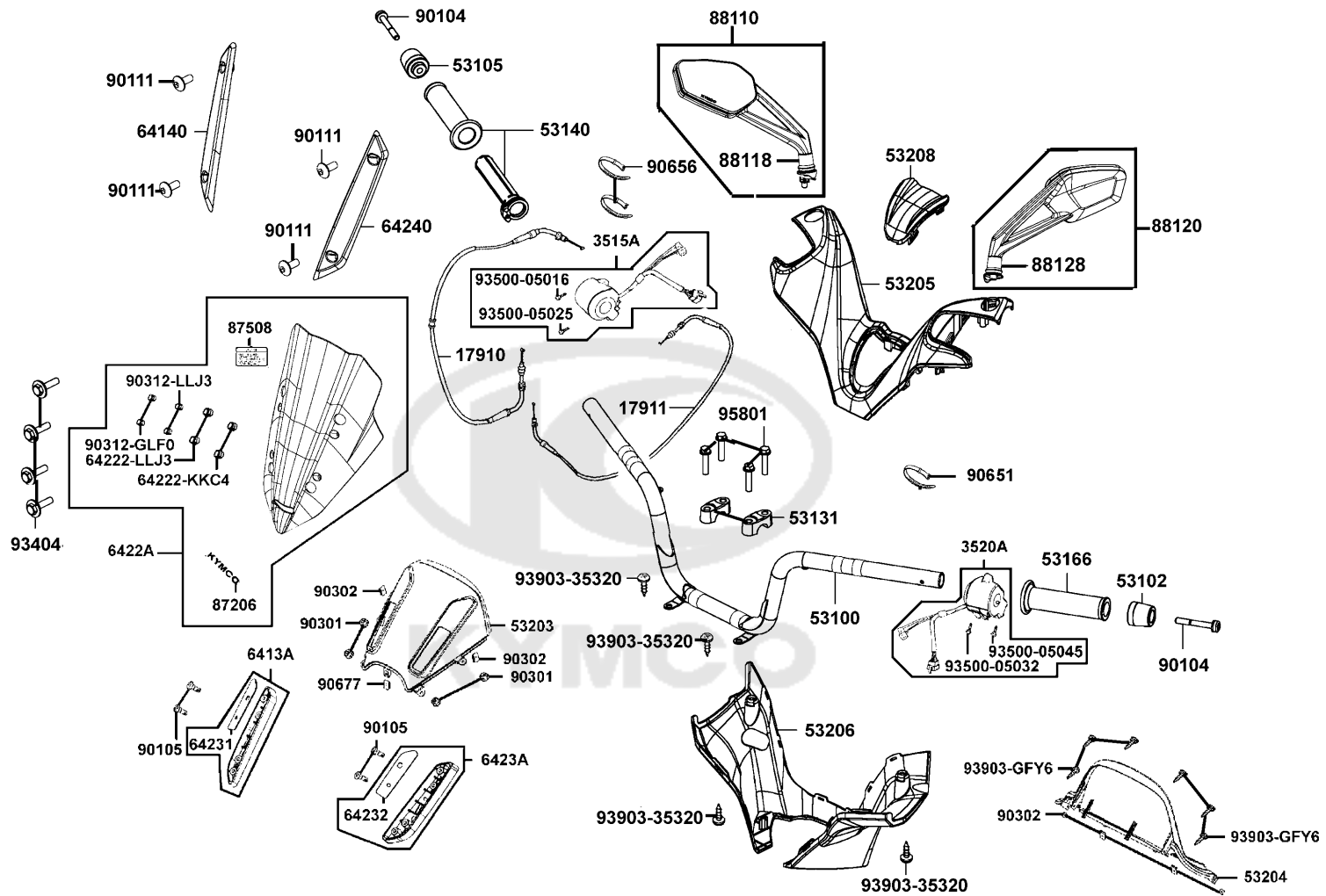
37200		37200-LKF5-E00	METER ASSY.. SPEED	METER ASSY.. SPEED	1	
37211		37211-LKF5-E00	LENSASSY	LENSASSY	1	
93903		93903-35320	SCREW TAPPING 5*16	SCREW TAPPING 5*16	2	





F03

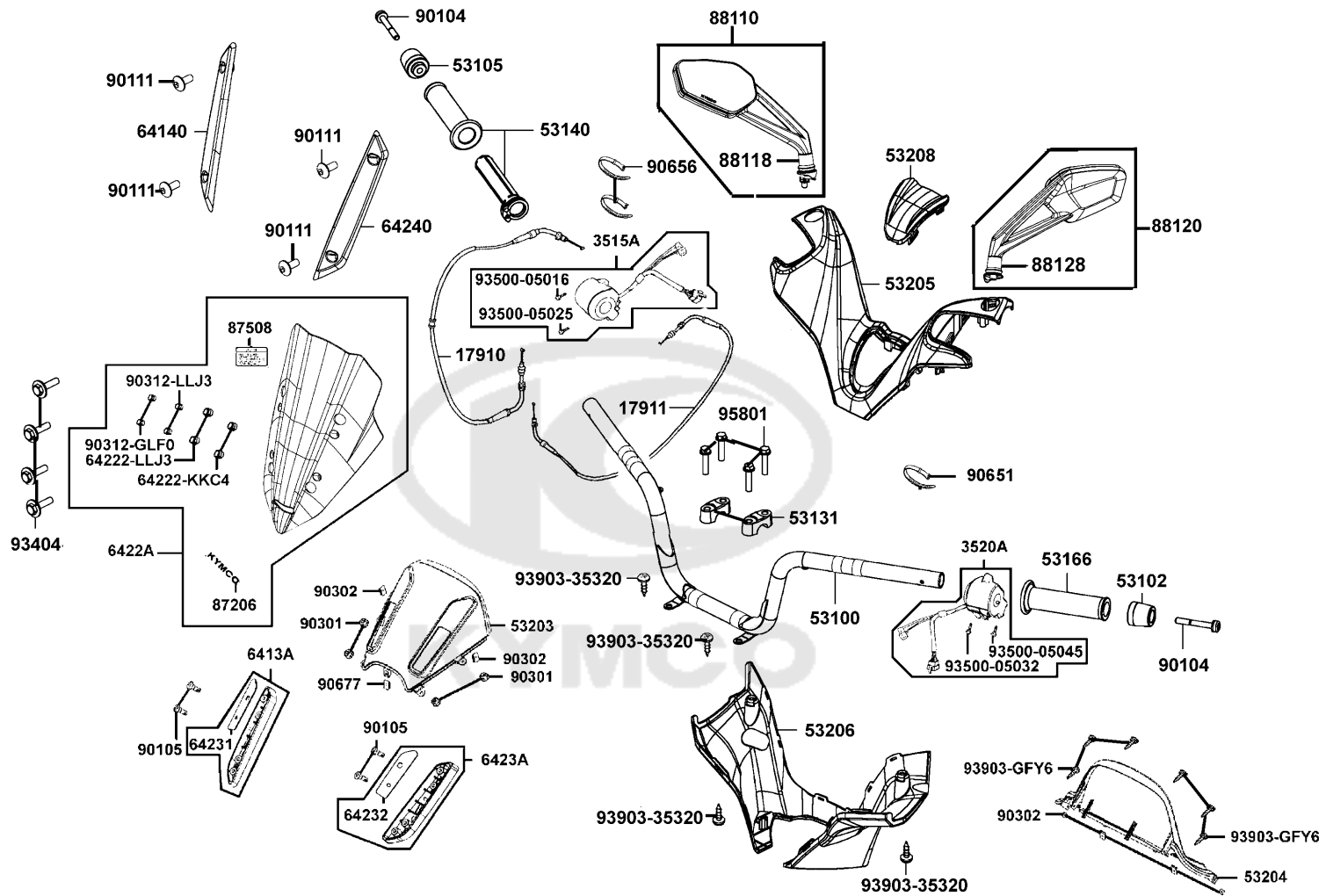
# Handle Steering



Sales mark	Ref no	Part no	Description	Reg description	Regd no	F03
	17910	17910-LKF5-E00	CABLE A,THROT	CABLE A,THROT	1	
	17911	17911-LKF5-E00	CABLE B,THROT	CABLE B,THROT	1	
	3515A	3515A-LBA2-E01	SW ASSY RH HNDL COMP	SW ASSY RH HNDL COMP	1	
	3520A	3520A-KEBE-900	SW ASSY L HNDL COMP	SW ASSY L HNDL COMP	1	
	53100	53100-LKF5-E00	HANDLE COMP.,STRG.	HANDLE COMP.,STRG.	1	
**	53102	53102-LEA5-E00	END L HANDLE	END L HANDLE	1	
**	53105	53105-LEA5-E00	END R HANDLE	END R HANDLE	1	
	53131	53131-3H98-941	HOLDER HANDLE PIPE	HOLDER HANDLE PIPE	2	
**	53140	53140-KKC4-900	GRIP COMP THROT	GRIP COMP THROT	1	
**	53166	53166-KGB5-900	GRIP L HANDLE	GRIP L HANDLE	1	
**	53203	53203-LBA2-E00	COVER METER FR	COVER METER FR	1	
**	53204	53204-LBA2-E00	COVER METER RR	COVER METER RR	1	
**	53205	53205-LKF5-E00	HANDLE COVER UP	HANDLE COVER UP	1	
**	53206	53206-LKF5-E00	HANDLE COVER LOW	HANDLE COVER LOW	1	
**	53208	53208-LKF5-E00	LID,HANDLE UP	LID,HANDLE UP	1	
**	6413A	6413A-LGR2-E00	HOLDER ASSY.,R WIND SCREEN	HOLDER ASSY.,R WIND SCREEN	1	
**	64140	64140-LKF5-E00	COVER R WIND SCREEN	COVER R WIND SCREEN	1	
	64222-KKC4	64222-KKC4-900	RUBBER WIND SCREEN	RUBBER WIND SCREEN	2	
	64222-LLJ3	64222-LLJ3-E00	RUBBER WIND SCREEN	RUBBER WIND SCREEN	2	
**	6422A	6422A-LKF5-E00	ASSY. ,WIND SCREEN	ASSY. ,WIND SCREEN	1	

F03

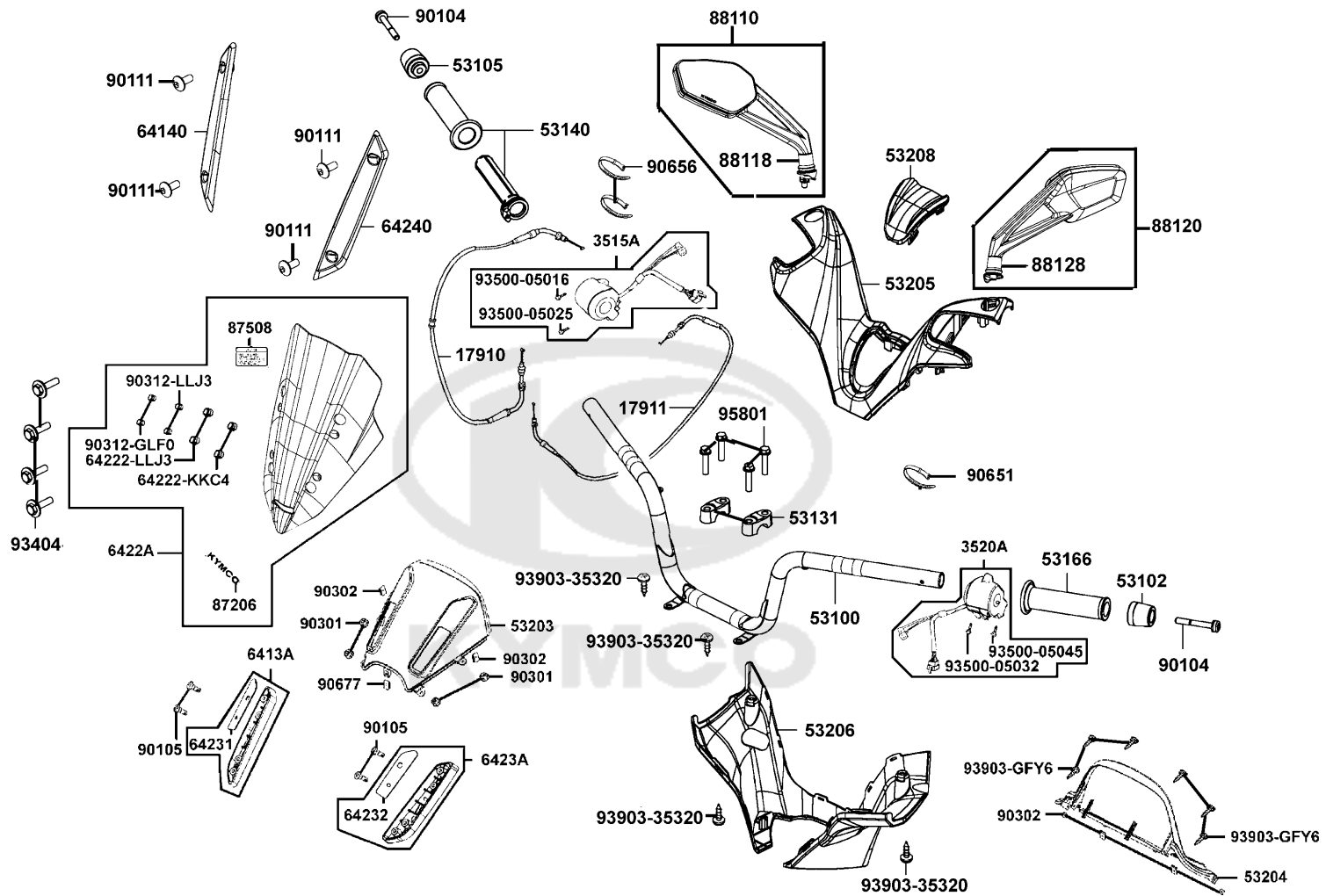
# Handle Steering



Sales mark	Ref no	Part no	Description	Reg description	Regd no	F03
	64231	64231-LBA2-E00	SPONGE TAPE R HOLDER	SPONGE TAPE R HOLDER	1	
	64232	64232-LBA2-E00	SPONGE TAPE L HOLDER	SPONGE TAPE L HOLDER	1	
**	6423A	6423A-LGR2-E00	HOLDER ASSY L WIND SCREEN	HOLDER ASSY L WIND SCREEN	1	
**	64240	64240-LKF5-E00	COVER L WIND SCREEN	COVER L WIND SCREEN	1	
**	87206	87206-LBA2-E00	EMB MARK KYMCO	EMB MARK KYMCO	1	
**	87508	87508-KKC4-E00	LABEL CLEANNESS CAUYION	LABEL CLEANNESS CAUYION	1	
**	88110	88110-LKF5-E00	MIRROR ASSY R BACK	MIRROR ASSY R BACK	1	
	88118	88118-LKF5-E00	COVER R STEM MIRROR	COVER R STEM MIRROR	1	
**	88120	88120-LKF5-E00	MIRROR ASSY L BACK	MIRROR ASSY L BACK	1	
	88128	88128-LKF5-E00	COVER L STEM MIRROR	COVER L STEM MIRROR	1	
	90104	90104-LEA7-E00	BOLT WASH M8*60	BOLT WASH M8*60	2	
	90105	90105-LLJ3-E00	BOLT SPECIAL 8MM	BOLT SPECIAL 8MM	4	
	90111	90111-KED9-900	SCREW PAN 6*14	SCREW PAN 6*14	4	
	90301	90301-6D34-671	NUT FLANGE 6MM	NUT FLANGE 6MM	4	
	90302	90302-SDA4-004	NUT SPRING 4MM	NUT SPRING 4MM	6	
	90312-GLF0	90312-GLF0-001	COLLAR BODY COVER	COLLAR BODY COVER	2	
	90312-LLJ3	90312-LLJ3-E00	COLLAR WIND SCREEN	COLLAR WIND SCREEN	2	
	90651	90651-LKF5-E01	CLIP WIRE HARN	CLIP WIRE HARN	1	
	90656	90656-KCBC-900	BAND OIL HANDLE	BAND OIL HANDLE	2	
	90677	90677-GAR1-004	NUT CLIP 5MM	NUT CLIP 5MM	1	

F03

# Handle Steering

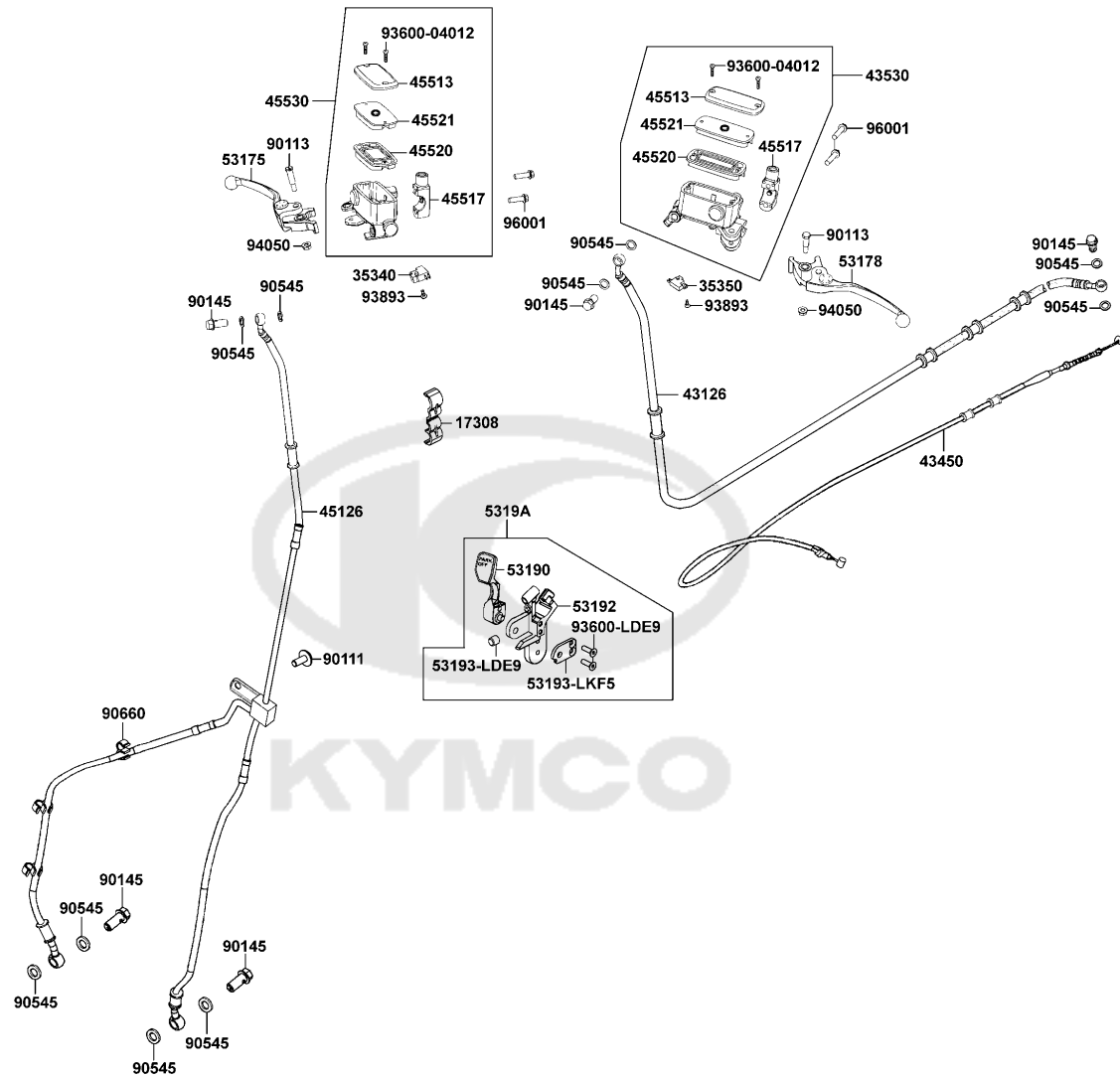


Sales mark	Ref no	Part no	Description	Reg description	Regd no	<b>F03</b>
93404		93404-06020-06	BOLT WASHER 6*20 (G)	BOLT WASH 6*20	4	
93500-05016		93500-05016-1B	SCREW PAN 5*16	SCREW PAN 5*16	1	
93500-05025		93500-05025-1B	SCREW PAN 5*25	SCREW PAN 5*25	1	
93500-05032		93500-05032-1B	SCREW PAN 5*32	SCREW PAN 5*32	1	
93500-05045		93500-05045-1B	SCREW PAN 5*45	SCREW PAN 5*45	1	
93903-35320		93903-35320	SCREW TAPPING 5*16	SCREW TAPPING 5*16	4	
93903-GFY6		93903-GFY6-900	SCREW TAPPING 4*14	SCREW TAPPING 4*14	6	
95801		95801-08035-06	BOLT FLANGE 8*35	BOLT FLANGE 8*35	4	



F04

# Master Cylinder

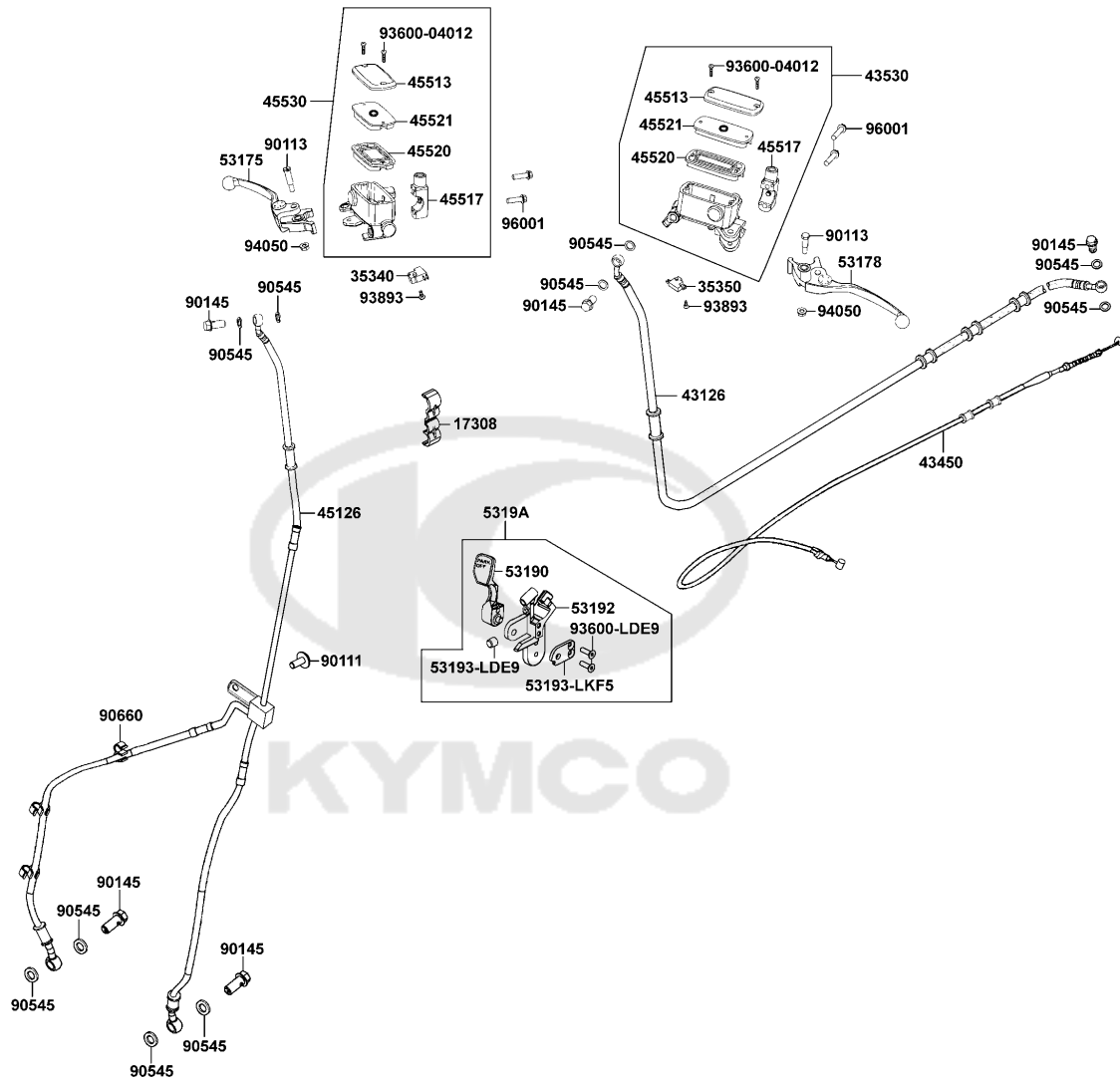


Sales mark	Ref no	Part no	Description	Reg description	Regd no	F04
	17308	17308-LKF5-900	CLAMP, TUBE	CLAMP, TUBE	1	
	35340	35340-LKF5-E00	SW ASSY FR STOP	SW ASSY FR STOP	1	
	35350	35350-LKF5-E00	SW ASSY RR STOP	SW ASSY RR STOP	1	
	43126	43126-LKF5-E00	HOSE ASSY, RR BRK	HOSE ASSY, RR BRK	1	
	43450	43450-LKF5-E00	CABLE COMP., PARKING	CABLE COMP., PARKING	1	
	43530	43530-LKF5-305	CYLINDER SET RR MASTER	CYLINDER SET RR MASTER	1	
	45126	45126-LKF5-E00	HOSE ASSY, FR BRK(RH)	HOSE ASSY, FR BRK(RH)	1	
	45513	45513-LEA7-E00	CAP MASTER CYLINDER	CAP MASTER CYLINDER	2	
	45517	45517-LKF5-E00	HOLDER M/C	HOLDER M/C	2	
	45520	45520-KKA8-900	DIAPHRAGM	DIAPHRAGM	2	
	45521	45521-LEA7-E00	PLATE DIAPHRAGM	PLATE DIAPHRAGM	2	
	45530	45530-LKF5-305	CYLINDER SET FR MASTER	CYLINDER SET FR MASTER	1	
**	53175	53175-LKF5-E00	LEVER R STRG HANDLE	LEVER R STRG HANDLE	1	
**	53178	53178-LKF5-E00	LEVER L STRG HANDLE	LEVER L STRG HANDLE	1	
	53190	53190-LKF5-305	LEVER, PARKING BRAKE	LEVER, PARKING BRAKE	1	
	53192	53192-LKF5-E00	BRCKET, PARKING BRAKE	BRCKET, PARKING BRAKE	1	
	53193-LDE9	53193-LDE9-E00	STOPPER	STOPPER	1	
	53193-LKF5	53193-LKF5-E00	PLATE, PARKING BRAKE	PLATE, PARKING BRAKE	1	
	5319A	5319A-LKF5-E00	BRAKE ASSY, PARKING	BRAKE ASSY, PARKING	1	
	90111	90111-KED9-900	SCREW PAN 6*14	SCREW PAN 6*14	1	

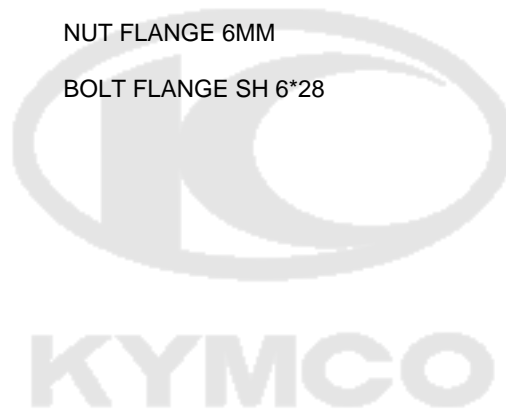


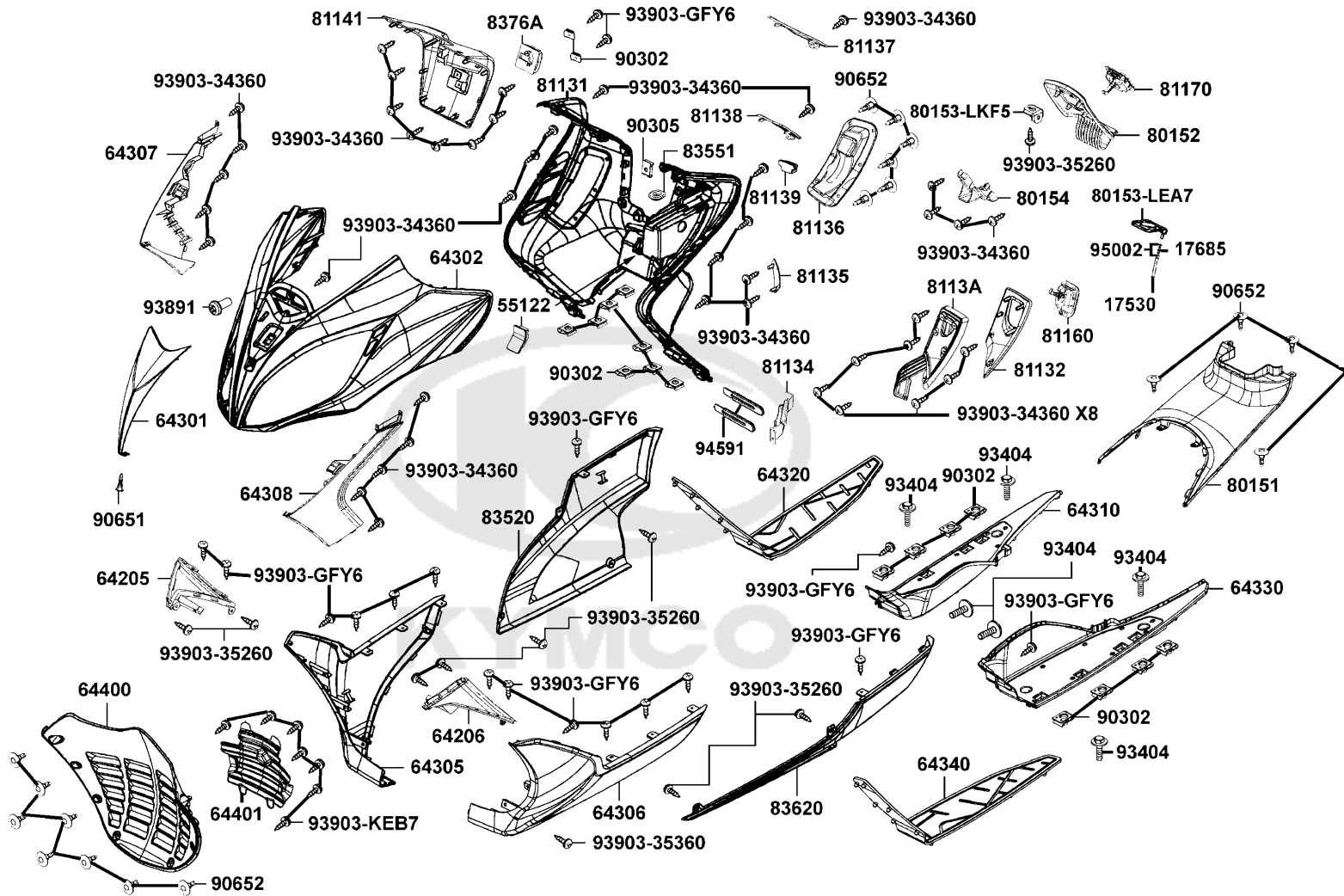
F04

# Master Cylinder

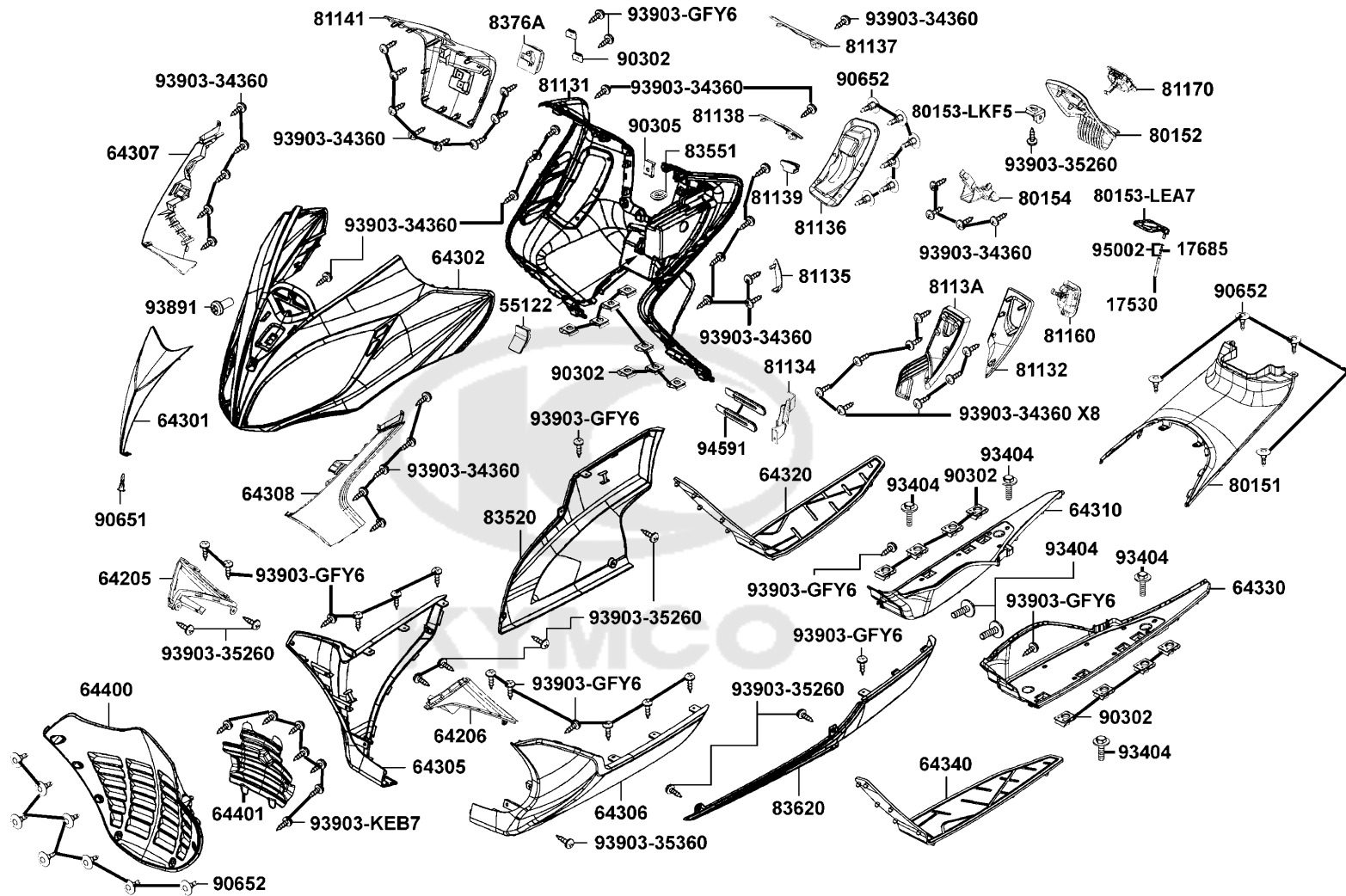


Sales mark	Ref no	Part no	Description	Reg description	Regd no	F04
90113		90113-KKA8-900	BOLT L STEERING HANDLE	BOLT L STEERING HANDLE	2	
90145		90145-MKS9-61A	OIL BOLT 10*22	OIL BOLT 10*22	5	
90545		90545-3L00-001	WASHER OIL BOLT	WASHER OIL BOLT	10	
90660		90660-PWA2-900	CLAMP TUBE	CLAMP TUBE	2	
93600-04012		93600-04012-1G	SCREW FLAT 4*12	SCREW FLAT 4*12	4	
93600-LDE9		93600-LDE9-E00	SCREW FLAT M6	SCREW FLAT M6	2	
93893		93893-04012-18	SCREW WASHER 4*12	SCREW WASHER 4*12	2	
94050		94050-06060	NUT FLANGE 6MM	BOLT FLANGE 6MM	2	
96001		96001-06028-06	BOLT FLANGE SH 6*28	BOLT FLANGE SH 6*28	4	

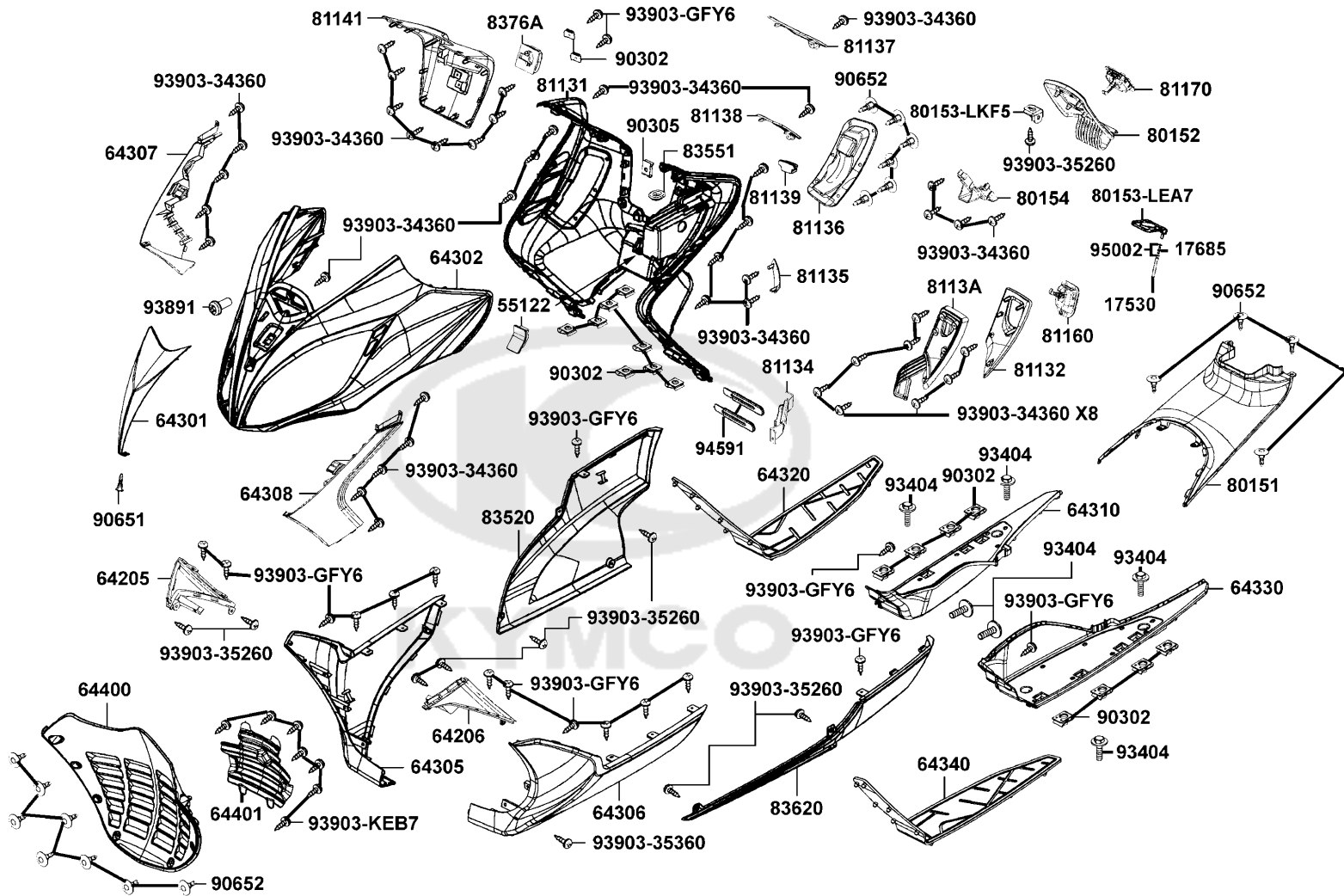




Sales mark	Ref no	Part no	Description	Reg description	Regd no	F05
	17530	17530-KGB5-900	TUBE ASSY DRAIN	TUBE ASSY DRAIN	1	
	17685	17685-KZCZ-900	JOINT TUBE	JOINT TUBE	1	
	55122	55122-LKF5-E00	PLUG FUEL TANK MAINT	PLUG FUEL TANK MAINT	1	
**	64205	64205-LKF5-E00	SKIRT A,R SIDE	SKIRT A,R SIDE	1	
**	64206	64206-LKF5-E00	SKIRT A,L SIDE	SKIRT A,L SIDE	1	
**	64301	64301-LGR2-E00	COVER FR TOP	COVER FR TOP	1	
**	64302	64302-LGR2-305	MOLDING FR	MOLDING FR	1	
**	64305	64305-LKF5-E00	SKIRT,R/L SIDE	SKIRT,R/L SIDE	1	
**	64306	64306-LKF5-E00	SKIRT,L SIDE	SKIRT,L SIDE	1	
**	64307	64307-LGR2-E00	SKIRT FR R SIDE	SKIRT FR R SIDE	1	
**	64308	64308-LGR2-E00	SKIRT FR L SIDE	SKIRT FR L SIDE	1	
**	64310	64310-LKF5-E00	FLOOR.PANEL R	FLOOR.PANEL R	1	
**	64320	64320-LKF5-E00	MAT FLOOR,R	MAT FLOOR,R	1	
**	64330	64330-LKF5-E00	FLOOR.PANEL L	FLOOR.PANEL L	1	
**	64340	64340-LKF5-E00	MAT FLOOR,L	MAT FLOOR,L	1	
**	64400	64400-LKF5-E00	COWL,UNDER	COWL,UNDER	1	
	64401	64401-LKF5-E00	MESH,UNDER COWL	MESH,UNDER COWL	1	
**	80151	80151-LKF5-E00	COVER CENTER	COVER CENTER	1	
**	80152	80152-LKF5-E00	LID,FUEL TANK MAINT	LID,FUEL TANK MAINT	1	
	80153-LEA7	80153-LEA7-E00	RUBBER FUEL CAP	RUBBER FUEL CAP	1	

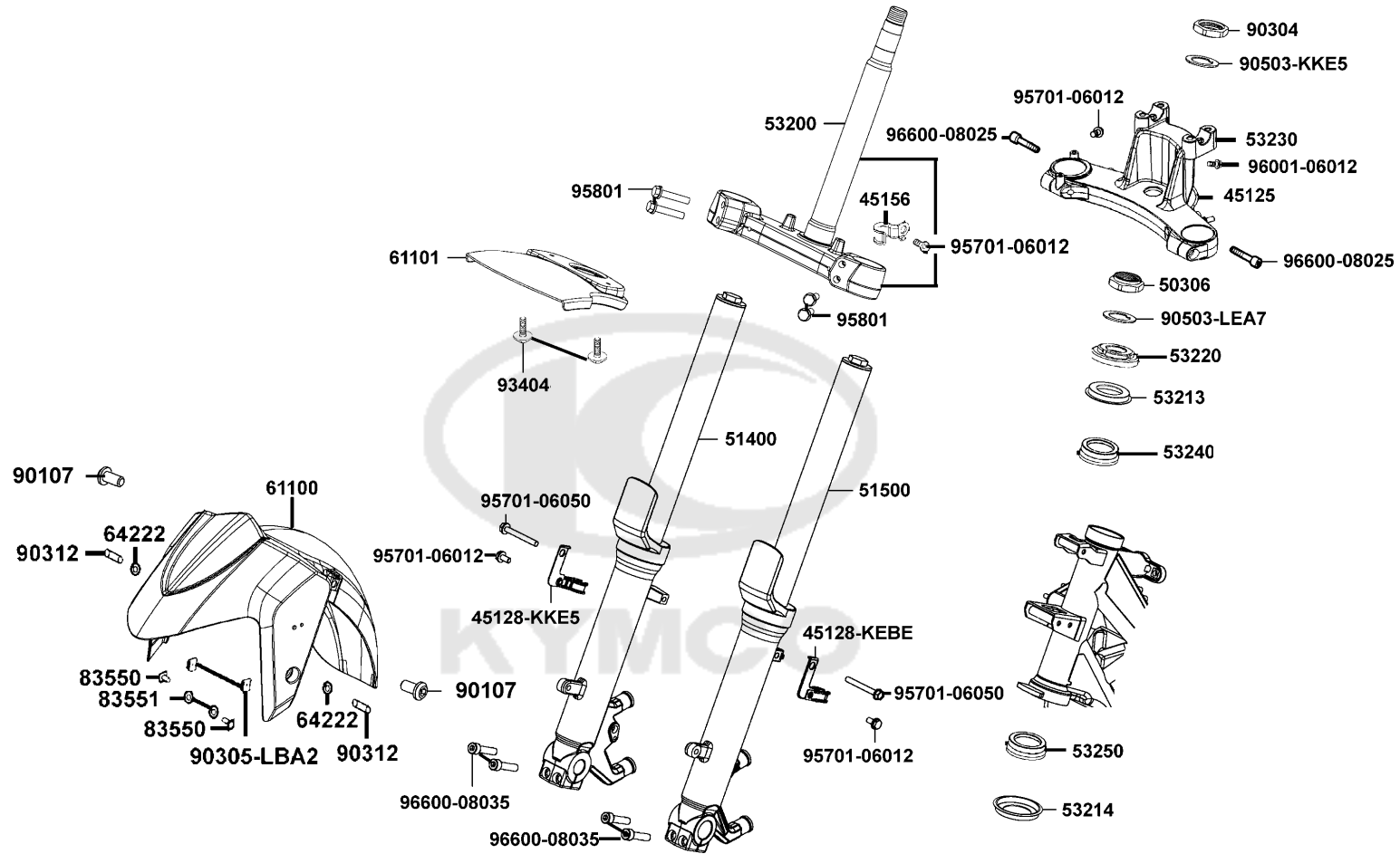


Sales mark	Ref no	Part no	Description	Reg description	Regd no	F05
	80153-LKF5	80153-LKF5-E00	STAY FUEL COVER	STAY FUEL COVER	1	
**	80154	80154-LKF5-E00	LID B,FUEL TANK MAINT	LID B,FUEL TANK MAINT	1	
**	81131	81131-LKF5-E00	LEG SHIELD	LEG SHIELD	1	
**	81132	81132-LKF5-E00	LID,FR. INNER BOX	LID,FR. INNER BOX	1	
**	81134	81134-LKF5-E00	COVER,INNER CAP,LID	COVER,INNER CAP,LID	1	
**	81135	81135-LKF5-E00	RETAIN PLATE,INNER BOX	RETAIN PLATE,INNER BOX	1	
**	81136	81136-LKF5-E00	RUBBER,ADJUSTER HANDLE	RUBBER,ADJUSTER HANDLE	1	
**	81137	81137-LKF5-E00	COVER,RADIATOR MAINT	COVER,RADIATOR MAINT	1	
**	81138	81138-LKF5-E00	LID RESERVE TANK	LID RESERVE TANK	1	
	81139	81139-LKF5-E00	PLUG INNER BOX	PLUG INNER BOX	1	
**	8113A	8113A-LKF5-E00	LID FR.ASSY.,INNER BOX B	LID FR.ASSY.,INNER BOX B	1	
**	81141	81141-LKF5-E00	TUNNEL LEG SHIELD	TUNNEL LEG SHIELD	1	
	81160	81160-LKF5-E00	LOCK ASSY.,FR INNER BOX	LOCK ASSY.,FR INNER BOX	1	
	81170	81170-LKF5-E00	LOCK ASSY.,FUEL TANK MAINT.LID	LOCK ASSY.,FUEL TANK MAINT.LID	1	
**	83520	83520-LKF5-E00	MOLD,R SIDE	MOLD,R SIDE	1	
	83551	83551-KKAK-900	GROMMET AIR CLEANER CASE	GROMMET AIR CLEANER CASE	1	
**	83620	83620-LKF5-E00	MOLD,L SIDE	MOLD,L SIDE	1	
	8376A	8376A-KEBE-900	CLIP ASSY CENTER	CLIP ASSY CENTER	1	
	90302	90302-SDA4-004	NUT SPRING 4MM	NUT SPRING 4MM	18	
	90305	90305-LBA2-E00	NUT CLIP 6MM	NUT CLIP 6MM	2	



Sales mark	Ref no	Part no	Description	Reg description	Regd no	<b>F05</b>
90651		90651-LCA5-E00	CLIP FENDER	CLIP FENDER	1	
90652		90652-LFB5-900	CLIP MUDGUARD	CLIP MUDGUARD	14	
93404		93404-06016-06	BOLT WASHER 6*16	BOLT WASHER 6*16	6	
93891		93891-05016-06	SCREW WASHER 5* 16	SCREW WASHER 5* 16	1	
93903-34360		93903-34360	SCREW TAPPING 4*12 (G)	SCREW TAPPING 4*12	43	
93903-35260		93903-35260	SCREW TAPPING 5*12	SCREW TAPPING 5*12	9	
93903-35360		93903-35360	SCREW TAPPING 5*16	SCREW TAPPING 5*16	1	
93903-GFY6		93903-GFY6-900	SCREW TAPPING 4*14	SCREW TAPPING 4*14	18	
93903-KEB7		93903-KEB7-900-06	SCREW WASHER 4*12 (G)	SCREW WASHER 4*12	7	
94591		94591-27000	CLIP 2*70	CLIP 2*70	2	
95002		95002-02080	CLIP B8 TUBE	CLIP B8 TUBE	2	





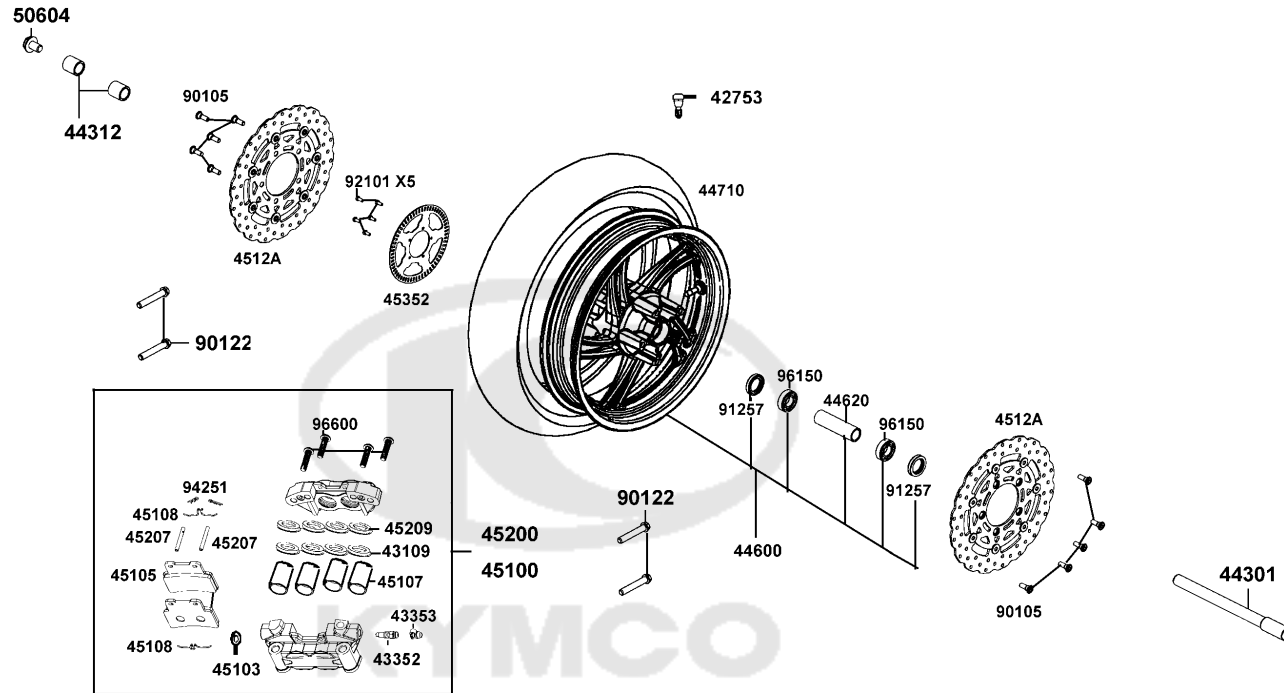
Sales mark	Ref no	Part no	Description	Reg description	Regd no	F06
	45125	45125-LKF5-E00	CLIP, BRAKE HOSE(TOP BRIDGE)	CLIP, BRAKE HOSE(TOP BRIDGE)	1	
	45128-KEBE	45128-KEBE-900	CLAMPER FR BRAKE HOSE	CALMPER FR BRAKE HOSE	1	
	45128-KKE5	45128-KKE5-E00	CLAMPER FR BRK HOSE	CLAMPER FR BRK HOSE	1	
	45156	45156-LKF5-E00	CLIP, SENSOR WIRE	CLIP, SENSOR WIRE	1	
	50306	50306-1F96-001	NUT STRG STEM LOCK	NUT STRG STEM LOCK	1	
**	51400	51400-LKF5-E00	FORK ASSY, FR R	FORK ASSY, FR R	1	
**	51500	51500-LKF5-E00	FORK ASSY, FR L	FORK ASSY, FR L	1	
	53200	53200-LKF5-E01	STEM COMP., STRG	STEM COMP., STRG	1	
	53213	53213-LBA2-E00	DUST SEAL STRG HEAD TOP	DUST SEAL STRG HEAD TOP	1	
	53214	53214-LBA2-E00	DUST SEAL STRG (HEAD)	DUST SEAL STRG (HEAD)	1	
	53220	53220-LBA2-E00	THREAD COMP STRG HEAD TOP	THREAD COMP STRG HEAD TOP	1	
	53230	53230-LKF5-E00	BRIDGE, FORK TOP	BRIDGE, FORK TOP	1	
	53240	53240-LBA2-E00	BEARING TOT STRG	BEARING TOT STRG	1	
	53250	53250-LBA2-E00	BEARING BOT STRG	BEARING BOT STRG	1	
**	61100	61100-LGR2-305	FENDER FR	FENDER FR	1	
	61101	61101-LBA2-E00	FENDER FR INNER	FENDER FR INNER	1	
	64222	64222-LLJ3-E00	RUBBER WIND SCREEN	RUBBER WIND SCREEN	2	
	83550	83550-KEC8-900	COLLAR	COLLAR	2	
	83551	83551-KEC8-900	GROMMET COVER	GROMMET COVER	2	
	90107	90107-LEA7-E00	BOLT SPECIAL 8MM	BOLT SPECIAL 8MM	2	



Sales mark	Ref no	Part no	Description	Reg description	Regd no	<b>F06</b>
90304		90304-KKE5-E00	NUT. STRG. STEM	NUT. STRG. STEM	1	
90305-LBA2		90305-LBA2-E00	NUT CLIP 6MM	NUT CLIP 6MM	2	
90312		90312-LLJ3-E01	COLLAR WIND SCREEN	COLLAR WIND SCREEN	2	
90503-KKE5		90503-KKE5-E00	WASHER STEERING STEM NUT	WASHER STEERING STEM NUT	1	
90503-LEA7		90503-LEA7-E00	WASHER STRG STEM NUT	WASHER STRG STEM NUT	1	
93404		93404-06012-06	BOLT WASHER 6*12 (G)	BOLT WASH 6*12	2	
95701-06012		95701-06012-06	BOLT FLANGE 6*12	BOLT FLANGE 6*12	4	
95701-06050		95701-06050-06	BOLT FLANGE 6*50	BOLT FLANGE 6*50	2	
95801		95801-08040-08	BOLT FLANGE 8*40	BOLT FLANGE 8*40	4	
96001-06012		96001-06012-08	BOLT FLANGE 6*12	BOLT FLANGE 6*12	1	
96600-08025		96600-08025-06	SOCKET BOLT 8*25	SOCKET BOLT 8*25	2	
96600-08035		96600-08035-06	SOCKET BOLT 8*35	SOCKET BOLT 8*35	4	

F07

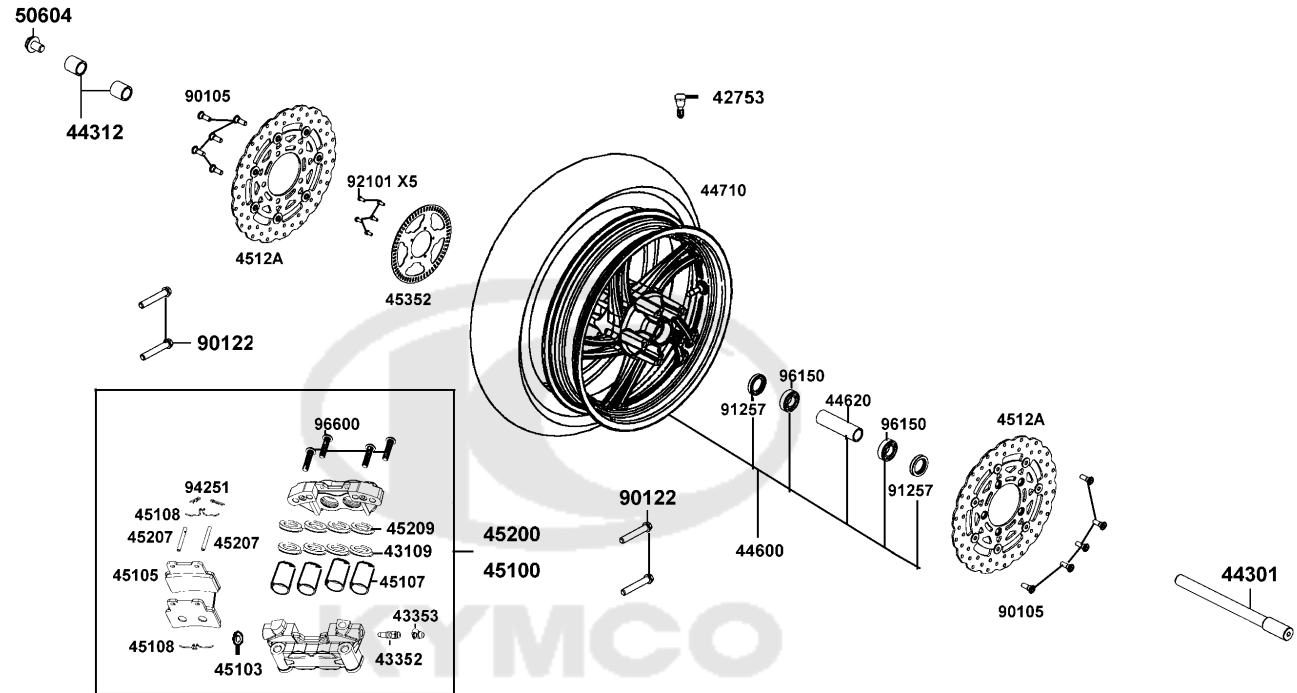
Front Wheel



Sales mark	Ref no	Part no	Description	Reg description	Regd no	F07
	42753	42753-KNBN-90B	VALAE RIM (TR412)	VALAE RIM (TR412)	1	
	43109	43109-GBE2-007	SEAL PISTON	SEAL PISTON	8	
	43352	43352-LHG7-E00	BLEEDER ASSY	BLEEDER ASSY	2	
	43353	43353-KED9-900	CAP BLEEDER	CAP BLEEDER	2	
	44301	44301-LKF5-E00	AXLE, FR WHEEL	AXLE, FR WHEEL	1	
	44312	44312-LKF5-E00	COLLAR, FR WHEEL SIDE L	COLLAR, FR WHEEL SIDE L	2	
**	44600	44600-LKF5-305	WHEEL SET FR	WHEEL SET FR	1	
	44620	44620-LBA2-E00	COLLAR FR AXLE DISTANCE	COLLAR FR AXLE DISTANCE	1	
	44710	44710-LKF5-E00	TIRE ASSY, FR	TIRE ASSY, FR	1	
**	45100	45100-LKF5-E00	CALIPER ASSY, FR L/H	CALIPER ASSY, FR L/H	1	
	45103	45103-MGR7-007	SEAL JOINT	SEAL JOINT	2	
	45105	45105-LKF5-305	PAD SET	PAD SET	2	
	45107	45107-LKF5-E00	PISTON C/P	PISTON C/P	8	
	45108	45108-LKF5-E00	SPRING PAD	SPRING PAD	8	
	4512A	4512A-LKF5-E00	DISK COMP., FR BRAKE	DISK COMP., FR BRAKE	2	
**	45200	45200-LKF5-E00	CALIPER ASSY, FR R/H	CALIPER ASSY, FR R/H	1	
	45207	45207-LKF5-E00	PIN HANGER	PIN HANGER	2	
	45209	45209-GBE2-007	SEAL PISTON	SEAL PISTON	8	
	45352	45352-LKF5-E00	TOOTHED RING, SENSOR	TOOTHED RING, SENSOR	1	
	50604	50604-KED9-950	BOLT FR AXLE	BOLT FR AXLE	1	

F07

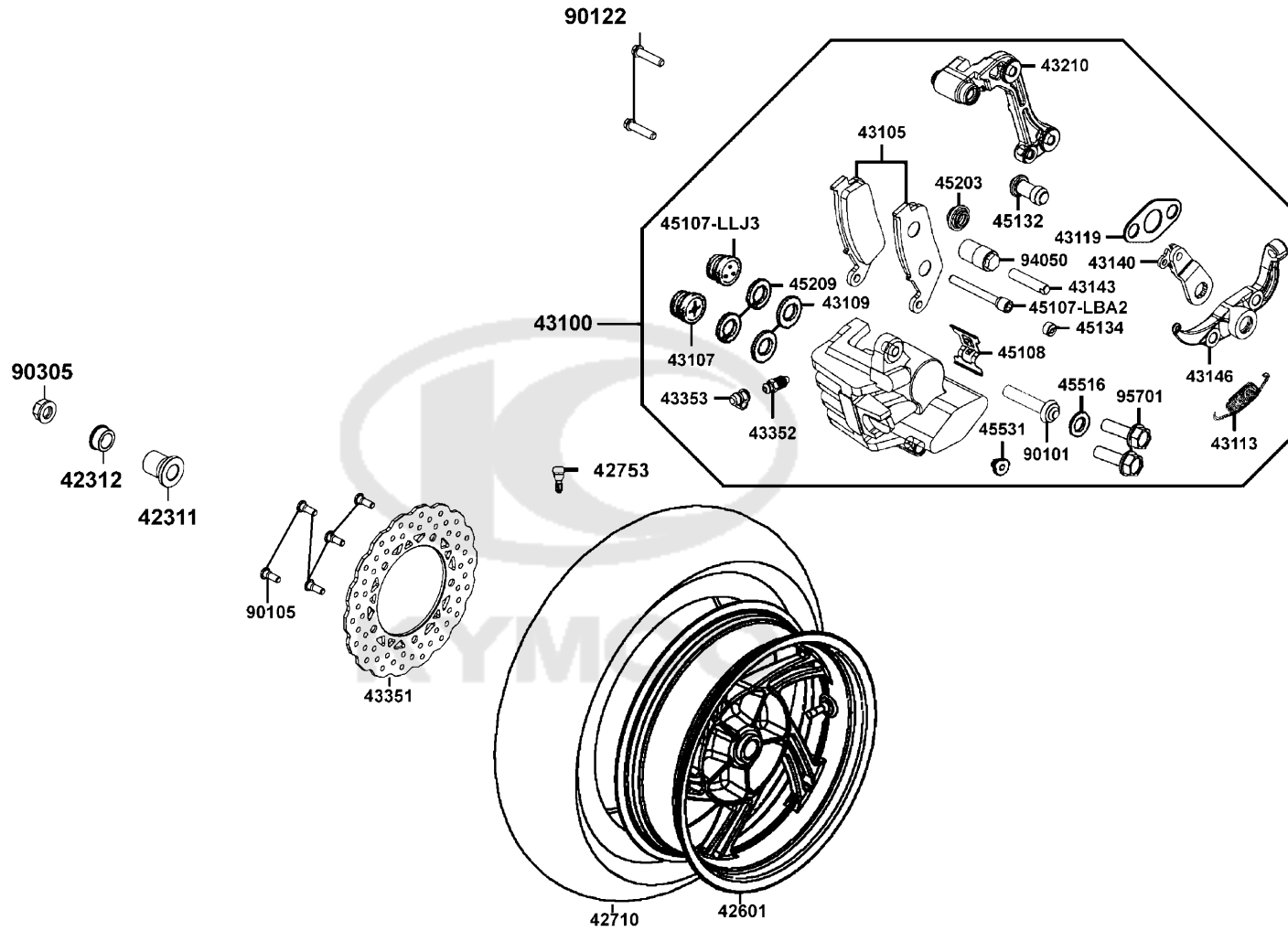
Front Wheel



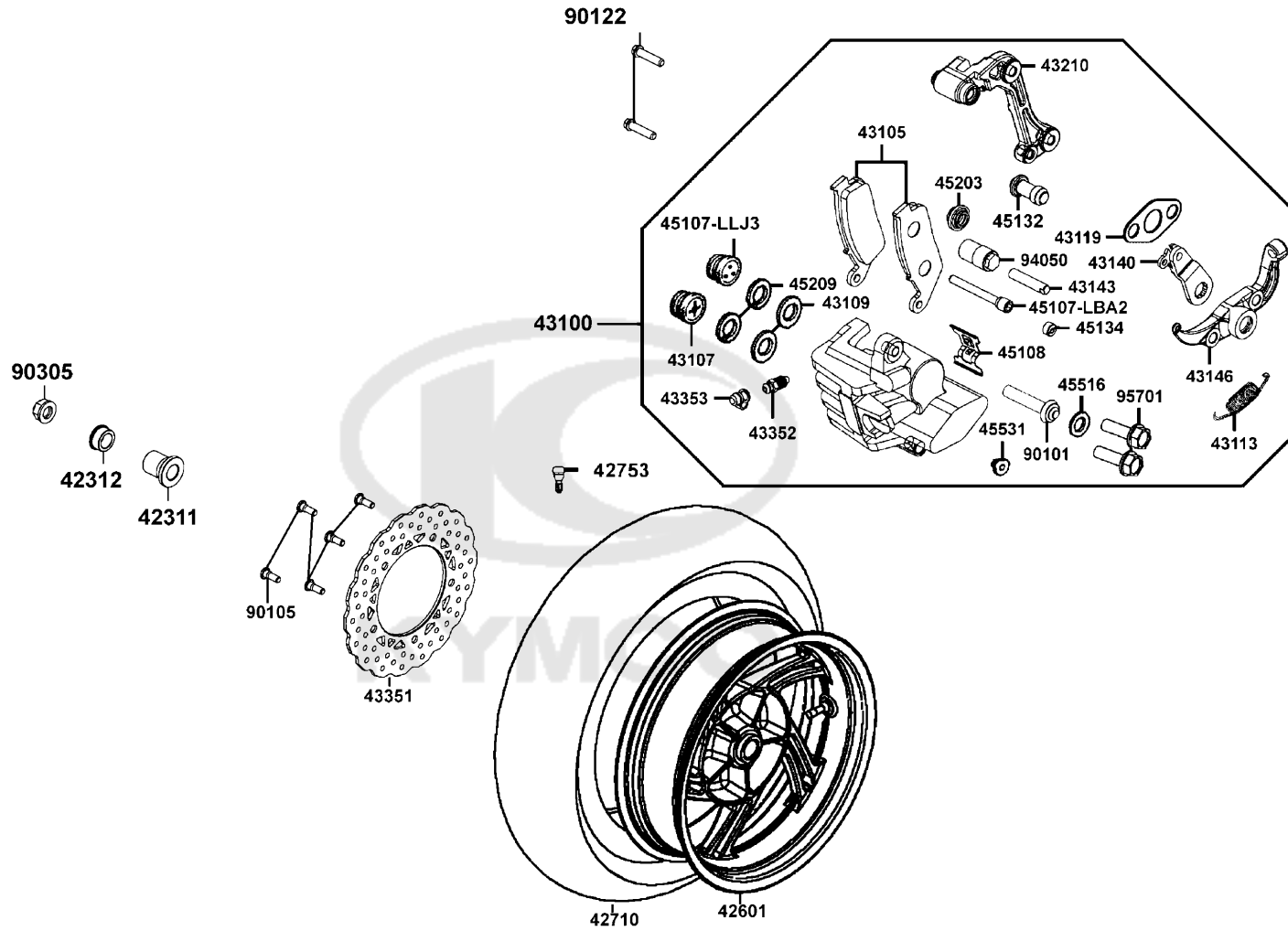
Sales mark	Ref no	Part no	Description	Reg description	Regd no	<b>F07</b>
90105		90105-KCR3-001	BOLT FR DISK 8*24	BOLT FR DISK 8*24	10	
90122		90122-LKF5-E00	BOLT FLANGE 10x58(G)	BOLT FLANGE 10x58(G)	4	
91257		91257-KED9-900	DUST SEAL 28*42*8	DUST SEAL 28*42*8	2	
92101		92101-05012-0A	BOLT HEX 5*12	BOLT HEX 5*12	5	
94251		94251-08400	PIN LOCK 8MM	PIN LOCK 8MM	4	
96150		96150-60040-10	BEARING BALL RADIAL 6004	BEARING BALL RADIAL 6004	2	
96600		96600-KKC4-900	SOCKET BOLT	SOCKET BOLT	8	







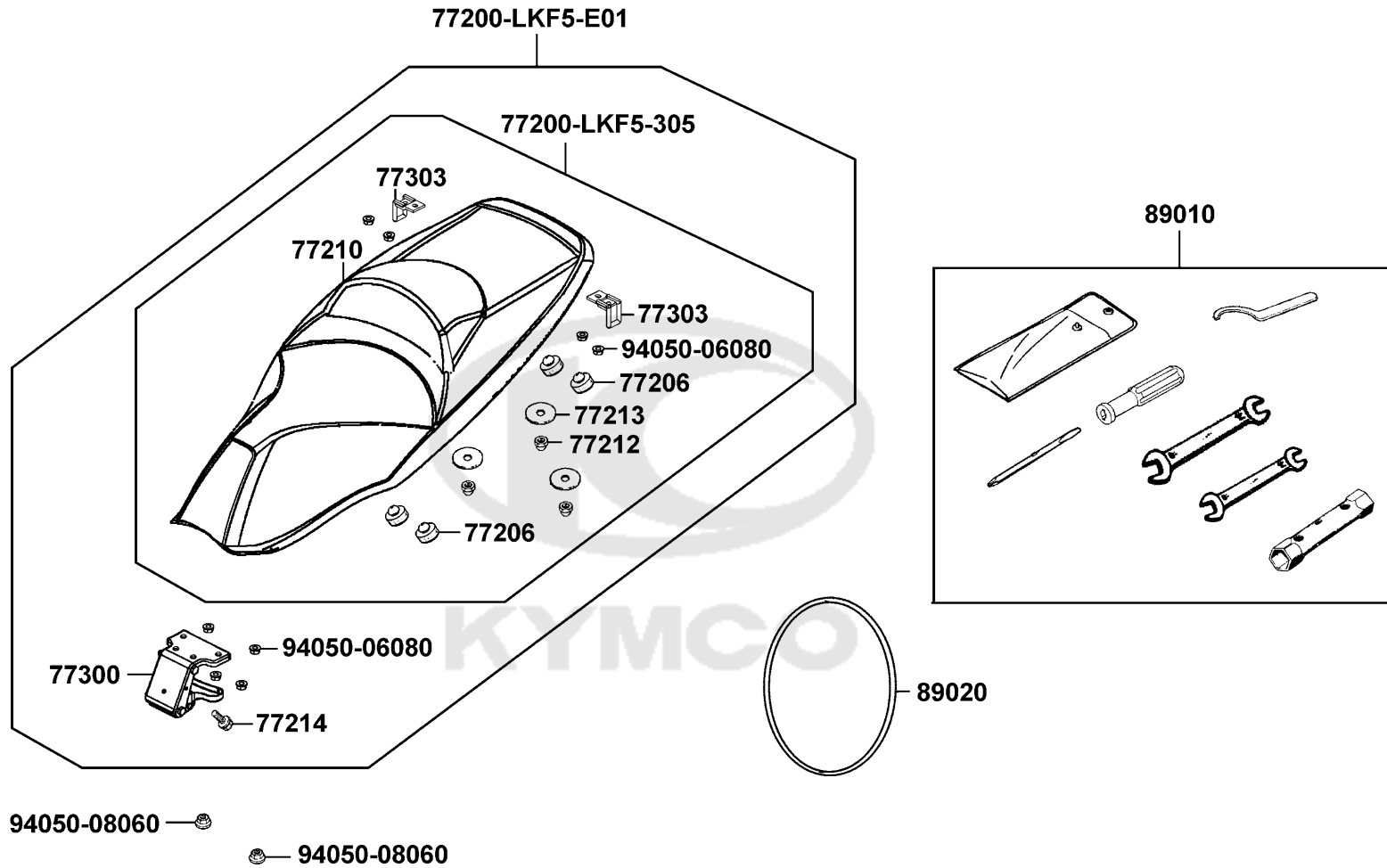
Sales mark	Ref no	Part no	Description	Reg description	Regd no	F08
	42311	42311-LEA7-950	COLLAR RR AXLE SIDE A	COLLAR RR AXLE SIDE A	1	
	42312	42312-LEA7-950	COLLAR, RR AXLE SIDE	COLLAR, RR AXLE SIDE	1	
**	42601	42601-LKF5-E00	WHEEL COMP. , RR	WHEEL COMP. , RR	1	
	42710	42710-LKF5-E00	TIRE ASSY, RR	TIRE ASSY, RR	1	
	42753	42753-KNBN-90B	VALAE RIM (TR412)	VALAE RIM (TR412)	1	
**	43100	43100-LKF5-E00	CALIPER ASSY, RR	CALIPER ASSY, RR	1	
	43105	43105-LKF5-305	PAD SET	PAD SET	1	
	43107	43107-LBA2-E00	PISTON ASSY	PISTON ASSY	1	
	43109	43109-MCA3-007	SEAL PISTON	SEAL PISTON	2	
	43113	43113-LBA2-E00	SPRING BRAKE ARM	SPRING BRAKE ARM	1	
	43119	43119-LBA2-E00	GASKET WATER PROOF	GASKET WATER PROOF	1	
	43140	43140-LKF5-E00	ARM BRAKE ASSY	ARM BRAKE ASSY	1	
	43143	43143-LBA2-E00	BOLT DRIVE	BOLT DRIVE	1	
	43146	43146-LKF5-E00	BRACKET CABLE	BRACKET CABLE	1	
	43210	43210-LKF5-305	BRACKET RR	BRACKET RR	1	
	43351	43351-LKF5-E00	DISK, RR BRAKE	DISK, RR BRAKE	1	
	43352	43352-KKD6-E90	SCREW BLEEDER	SCREW BLEEDER	1	
	43353	43353-KED9-900	CAP BLEEDER	CAP BLEEDER	1	
	45107-LBA2	45107-LBA2-E00	PISTON	PISTON	1	
	45107-LLJ3	45107-LLJ3-E00	PISTON	PISTON	1	



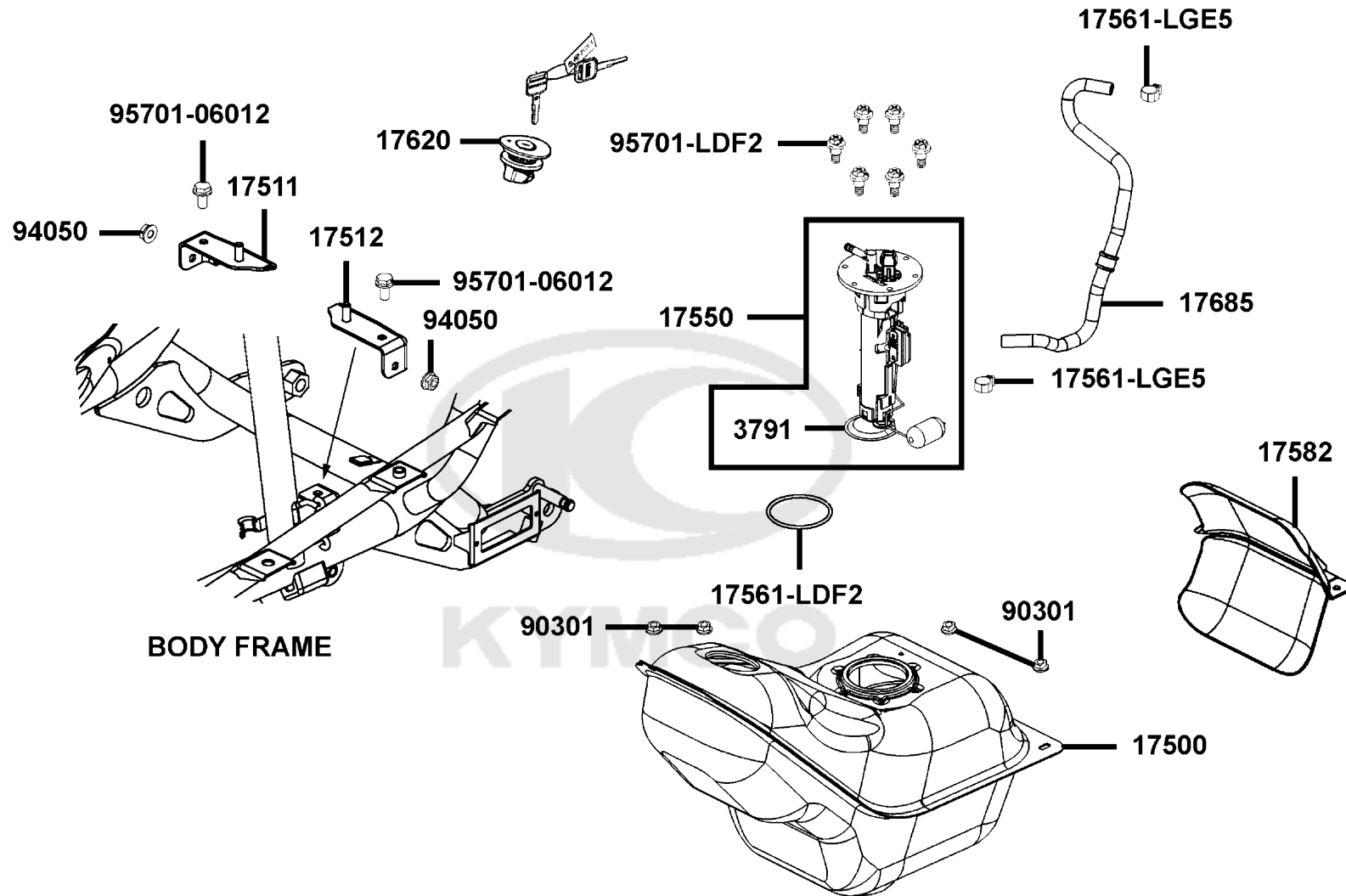
Sales mark	Ref no	Part no	Description	Reg description	Regd no	<b>F08</b>
45108		45108-KED9-900	SPRING PAD	SPRING PAD	1	
45132		45132-1F66-017	BUSH BOOT PIN	BUSH BOOT PIN	1	
45134		45134-KED9-900	BOOT B	BOOT B	1	
45203		45203-KED9-900	PLUG PIN	PLUG PIN	1	
45209		45209-KED9-900	SEAL PISTON	SEAL PISTON	2	
45516		45516-LBA2-E00	O RING	O RING	1	
45531		45531-KED9-900	PLUG	PLUG	1	
90101		90101-LBA2-E00	BOLT BUSH ROD	BOLT BUSH ROD	1	
90105		90105-KCR3-001	BOLT FR DISK 8*24	BOLT FR DISK 8*24	5	
90122		90122-LEA7-E00	BOLT FLANGE 10x42(Cr)	BOLT FLANGE 10x42(Cr)	2	
90305		90305-KKAK-900	NUT U 16MM	NUT U 16MM	1	
94050		94050-86000	FLANGE NUT M6*1.0	FLANGE NUT M6*1.0	1	
95701		95701-LBA2-E00	BOLT FLANGE	BOLT FLANGE	1	

F09

Seat



Sales mark	Ref no	Part no	Description	Reg description	Regd no	F09
**	77200-LKF5-305	77200-LKF5-305	REPLACEMENT ASSY SEAT	REPLACEMENT ASSY SEAT	1	
**	77200-LKF5-E01	77200-LKF5-E01	SEAT ASSY	SEAT ASSY	1	
	77206	77206-KEB7-900	RUBBER SEAT CUSH	RUBBER SEAT CUSHION	4	
**	77210	77210-LKF5-E00	BACK SEAT COMP	BACK SEAT COMP	1	
	77212	77212-LKF5-E00	CAP NUT 6MM	CAP NUT 6MM	3	
	77213	77213-LKF5-E00	WASHER 6MM	WASHER 6MM	3	
	77214	77214-LKF5-E00	BOLT 6MM	BOLT 6MM	1	
	77300	77300-LKF5-E00	HINGE ASSY.,SEAT	HINGE ASSY.,SEAT	1	
	77303	77303-LKF5-E00	HOOK SEAT LOCK	HOOK SEAT LOCK	1	
	89010	89010-LKF5-E00	TOOL SET	TOOL SET	1	
	89020	89020-KKC4-900	BAND TOOL SET	BAND TOOL SET	1	
	94050-06080	94050-06080	NUT FLANGE 6MM	NUT FLANGE 6MM	8	
	94050-08060	94050-08060	NUT FLANGE 8MM	NUT FLANGE 8MM	2	

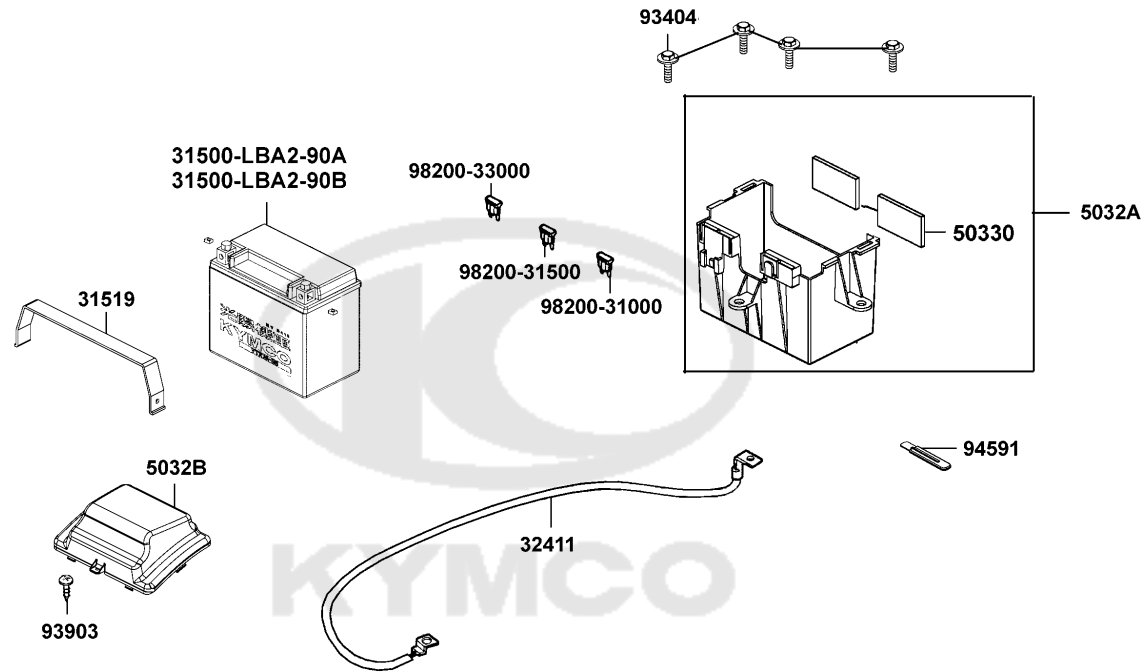


Sales mark	Ref no	Part no	Description	Reg description	Regd no	<b>F10</b>
	17500	17500-LEA7-E00	TANK COMP FUEL	TANK COMP FUEL	1	
	17511	17511-LKF5-E00	STAY R,FUEL TANK	STAY R,FUEL TANK	1	
	17512	17512-LKF5-E00	STAY L,FUEL TANK	STAY L,FUEL TANK	1	
	17550	17550-LKF5-E00	PUMP ASSY.. FUEL	PUMP ASSY.. FUEL	1	
	17561-LDF2	17561-LDF2-900	O-RING	O-RING	1	
	17561-LGE5	17561-LGE5-E00	CLIP 13.5	CLIP 13.5	1	
	17582	17582-LKF5-E00	HEAD GUARD COVER	HEAD GUARD COVER	1	
	17620	17620-LKF5-315-M2	CAP COMP FUEL FILLER	CAP COMP FUEL FILLER	1	
	17685	17685-LKF5-E00	TUBE,FUEL PUMP	TUBE,FUEL PUMP	1	
	3791	3791-HN80-0000	FILTER COMP	FILTER COMP	1	
	90301	90301-6D34-671	NUT FLANGE 6MM	NUT FLANGE 6MM	4	
	94050	94050-06080	NUT FLANGE 6MM	NUT FLANGE 6MM	2	
	95701-06012	95701-06012-08	BOLT FLANGE 6*12	BOLT FLANGE 6*12	2	
	95701-LDF2	95701-LDF2-800	BOLT FLANGE 5*6.5	BOLT FLANGE 5*6.5	6	

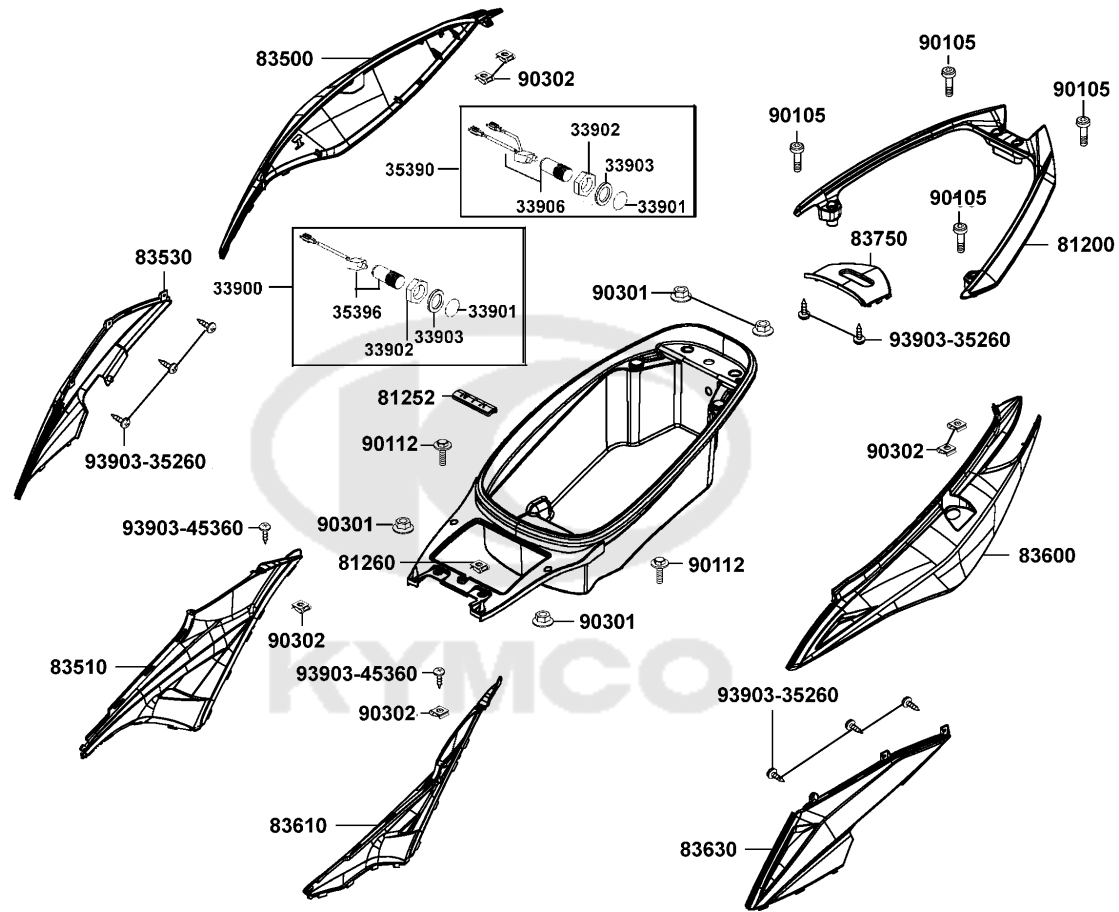


F11

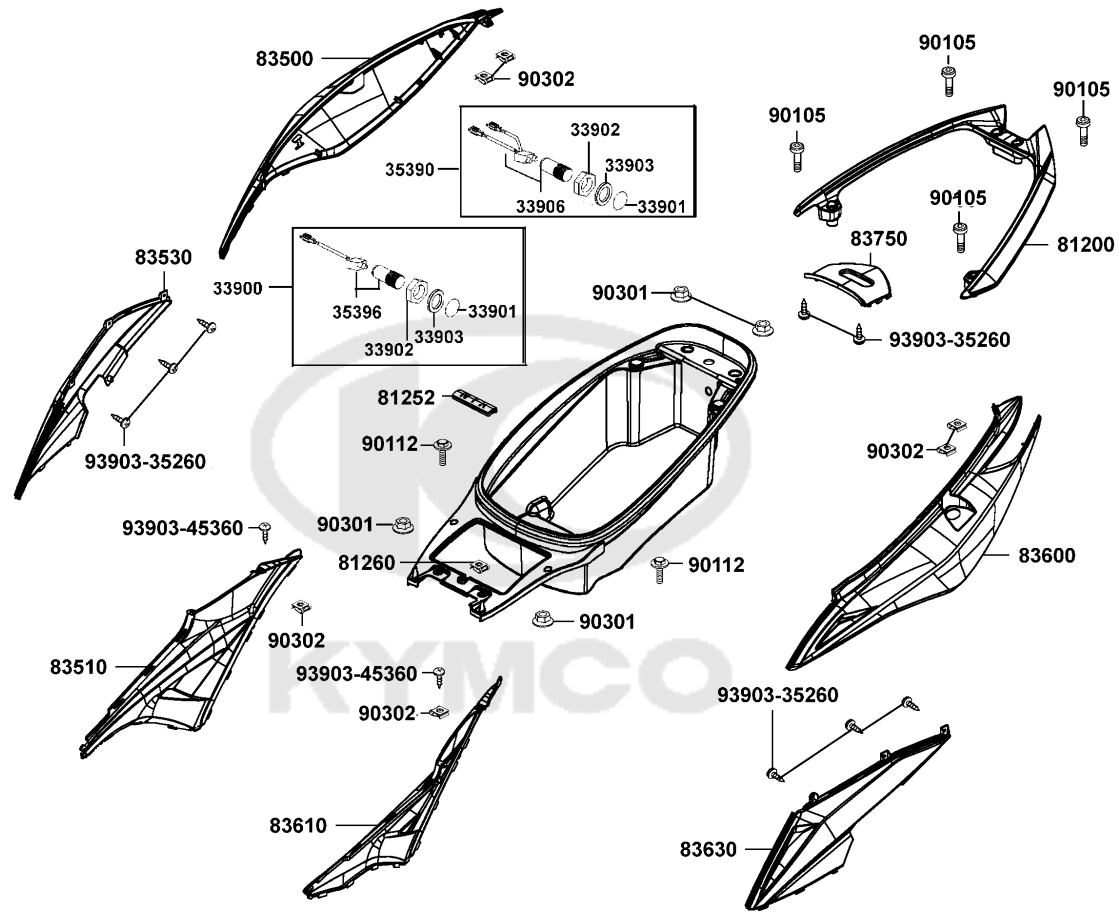
# Battery



Sales mark	Ref no	Part no	Description	Reg description	Regd no	F11
	31500-LBA2-90A	31500-LBA2-90A	BATTERY YTX14-BS	BATTERY YTX14-BS	1	
	31500-LBA2-90B	31500-LBA2-90B	BATTERY GTX14-BS	BATTERY GTX14-BS	1	
	31519	31519-LKF5-E00	FIX STAY. BATTERY	FIX STAY. BATTERY	1	
	32411	32411-KHD8-900	CABLE BATTERY	CABLE BATTERY	1	
**	5032A	5032A-LKF5-E00	CASE ASSY BATTERY	CASE ASSY BATTERY	1	
**	5032B	5032B-LKF5-E00	BATTERY COVER,ASSY.	BATTERY COVER,ASSY.	1	
	50330	50330-LKF5-E00	SPONGE BATTERY CASE	SPONGE BATTERY CASE	2	
	93404	93404-06012-08	BOLT WASHER 6*12	BOLT WASHER 6*12	4	
	93903	93903-45260	SCREW TAPPING 5*12	SCREW TAPPING 5*12	1	
	94591	94591-KFBF-900	CLIP 2*70	CLIP 2*71	1	
	98200-31000	98200-31000	BLADE FUSE 10A	BLADE FUSE 10A	1	
	98200-31500	98200-31500	BLADE FUSE 15A	BLADE FUSE 15A	1	
	98200-33000	98200-33000	BLADE FUSE 30A	BLADE FUSE 30A	1	



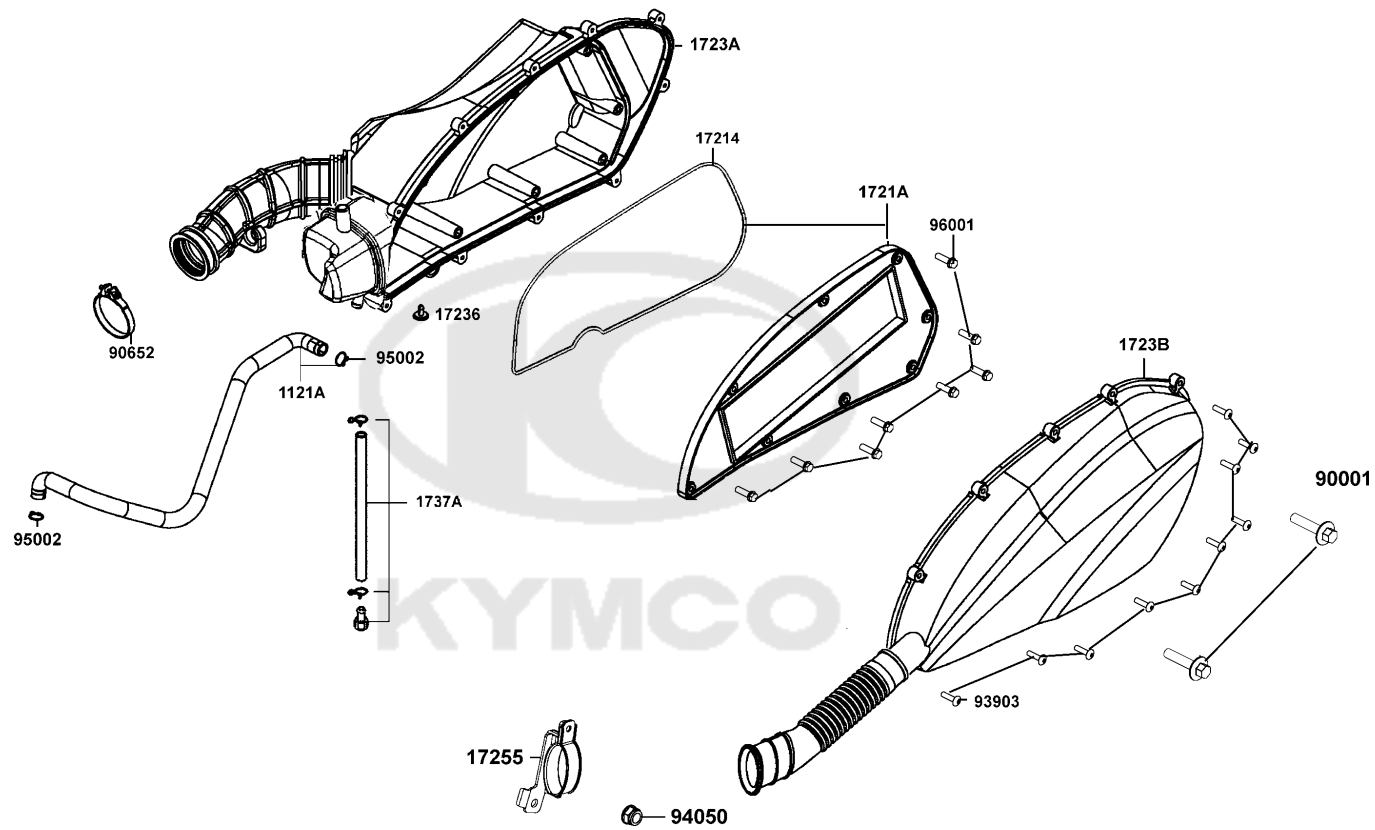
Sales mark	Ref no	Part no	Description	Reg description	Regd no	<b>F12</b>
	33900	33900-LKF5-E00	LIGHT ASSY LUGGAGE BOX	LIGHT ASSY.. LUGGAGE BOX	1	
	33901	33901-LHG7-E00	LENS	LENS	2	
	33902	33902-LHG7-E00	NUT SCREW	NUT SCREW	2	
	33903	33903-LHG7-E00	PACKING BASE	PACKING BASE	2	
	33906	33906-LKF5-E00	SOCKET ASSY	SOCKET ASSY	1	
	35390	35390-LKF5-E00	SENSOR LUGGAGE BOX LIGHT	SENSOR.. LUGGAGE BOX LIGHT	1	
	35396	35396-LKF5-E00	SOCKET ASSY	SOCKET ASSY	1	
**	81200	81200-LGR2-E00	CARRIER RR	CARRIER RR	1	
	81252	81252-KKE5-E00	PLUG LUGGAGE BOX	PLUG LUGGAGE BOX	1	
	81260	81260-LKF5-E00	BOX,COMP. LUGGAGE	BOX,COMP. LUGGAGE	1	
**	83500	83500-LKF5-E00	COVER R.. BODY	COVER R.. BODY	1	
**	83510	83510-LKF5-E00	BOARD,R SIDE COVER	BOARD,R SIDE COVER	1	
**	83530	83530-LKF5-E00	COVER,R SIDE	COVER,R SIDE	1	
**	83600	83600-LKF5-E00	COVER L.. BODY	COVER L.. BODY	1	
**	83610	83610-LKF5-E00	BOARD,L SIDE COVER	BOARD,L SIDE COVER	1	
**	83630	83630-LKF5-E00	COVER,L SIDE	COVER,L SIDE	1	
**	83750	83750-LKF5-E00	COVER RR CENTER	COVER RR CENTER	1	
	90105	90105-KHB4-900	BOLT WASH M8*60	BOLT WASH M8*60	4	
	90112	90112-KFA1-900	BOLT FLANGE 6MM	BOLT FLANGE 6MM	2	
	90301	90301-6C93-001	NUT 6MM OPENSTAY	NUT 6MM OPEN STAY	4	



Sales mark	Ref no	Part no	Description	Reg description	Regd no	<b>F12</b>
------------	--------	---------	-------------	-----------------	---------	------------

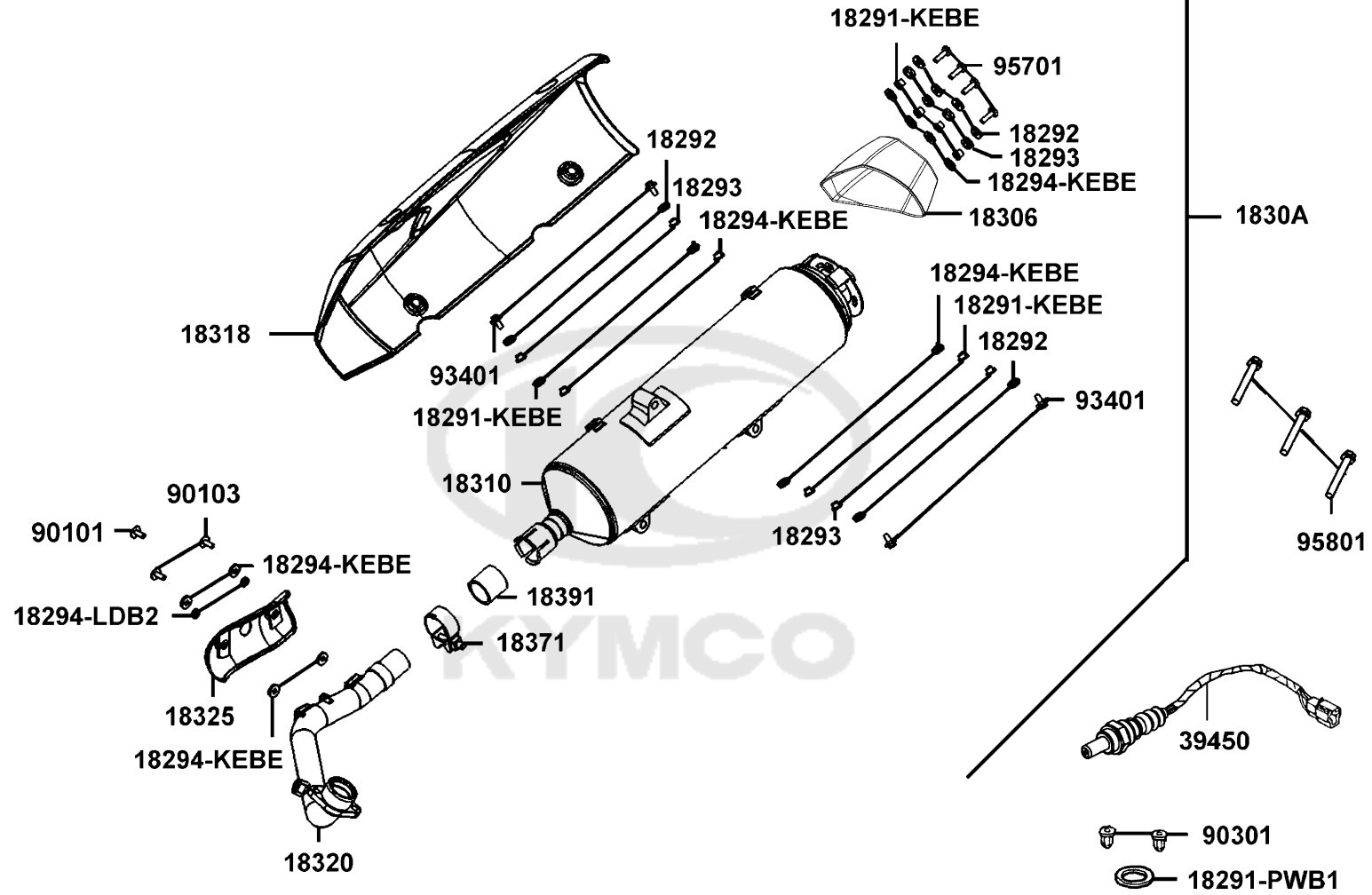
90302	90302-LKB9-900	90302-LKB9-900	NUT SPRING 5MM	NUT SPRING 5MM	4	
93903-35260	93903-35260	93903-35260	SCREW TAPPING 5*12	SCREW TAPPING 5*12	8	
93903-45360	93903-45360	93903-45360	SCREW TAPPING 5*16	SCREW TAPPING 5*16	2	



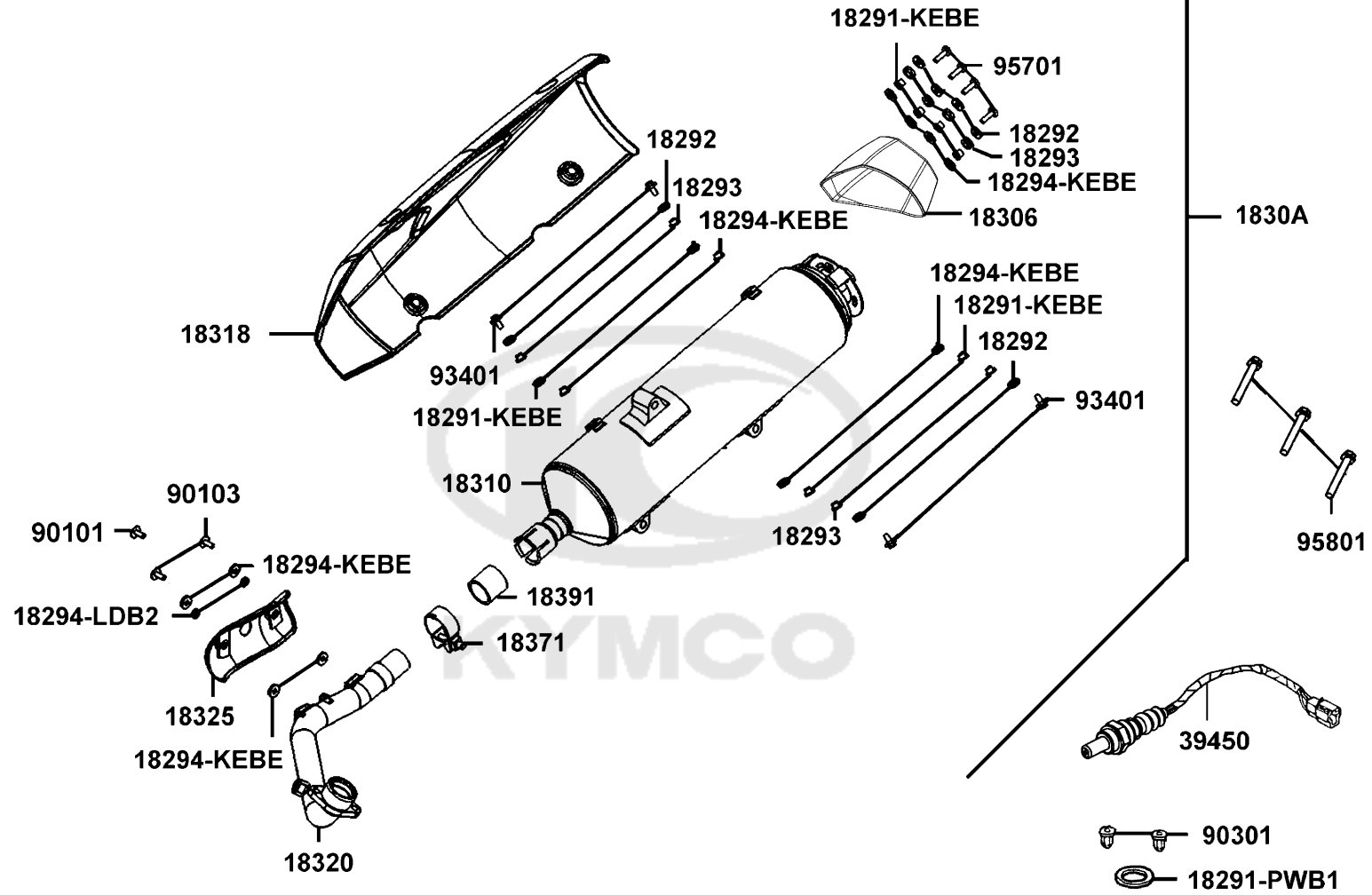


Sales mark	Ref no	Part no	Description	Reg description	Regd no	<b>F13</b>
1121A		1121A-LKF5-E00	TUBE ASSY AIR/C	TUBE ASSY AIR/C	1	
17214		17214-LDB2-E00	SEAL CASE	SEAL CASE	1	
1721A		1721A-LKF5-E00	ELEMENT COMP.. AIR/C	ELEMENT COMP.. AIR/C	1	
17236		17236-KFBF-910	PLATE	PLATE	1	
1723A		1723A-LKF5-E00	CASE. AIR/C	CASE. AIR/C	1	
1723B		1723B-LKF5-E00	COVER COMP.. AIR/C	COVER COMP.. AIR/C	1	
17255		17255-LKF5-E00	STAY. AIR/C. DUCT	STAY. AIR/C. DUCT	1	
1737A		1737A-KUDU-900	V TUBE ASSY	V TUBE ASSY	1	
90001		90001-GBHB-681	BOLT FLANGE SHF 6*28	BOLT FLANGE SHF 6*28	2	
90652		90652-LKF5-E00	CLAMP (54)	CLAMP (54)	1	
93903		93903-25460	SCREW TAPPING 5*20	SCREW TAPPING 5*20	9	
94050		94050-06060	NUT FLANGE 6MM	BOLT FLANGE 6MM	1	
95002		95002-02120	CLIP B12 TUBE	CLIP B12 TUBE	2	
96001		96001-GFY6-900	BOLT SPECIAL 5*10	BOLT FLANGE 5*10	7	





Sales mark	Ref no	Part no	Description	Reg description	Regd no	F14
	18291-KEBE	18291-KEBE-900	COLLAR	COLLAR	9	
	18291-PWB1	18291-PWB1-900	SEAL EXHAUST PIPE	SEAL EXHAUST PIPE	1	
	18292	18292-KEBE-900	PACKING PROTECTOR	PACKING PROTECTOR	9	
	18293	18293-KEBE-900	RUBBER PKG PROTR	RUBBER A PROTR	9	
	18294-KEBE	18294-KEBE-900	PACKING PROTECTOR	PACKING PROTECTOR	13	
	18294-LDB2	18294-LDB2-900	PACKING INNER PROTECTOR	PACKING INNER PROTECTOR	2	
**	18306	18306-LKF5-E00	TAIL CAP. MUFFLER	TAIL CAP. MUFFLER	1	
	1830A	1830A-LKF5-E00	MUFFLER ASSY EXHAUST	MUFFLER ASSY.. EXHAUST	1	
	18310	18310-LKF5-E00	MUFFLER COMP	MUFFLER COMP	1	
**	18318	18318-LKF5-E00	PROTECTOR. MUFFLER	PROTECTOR. MUFFLER	1	
	18320	18320-LKF5-E00	PIPE COMP.. EXHAUST	PIPE COMP.. EXHAUST	1	
**	18325	18325-LKF5-E00	PROTECTOR. EXH PIPE	PROTECTOR. EXH PIPE	1	
	18371	18371-LBA2-E00	BAND MUFFLER	BAND MUFFLER	1	
	18391	18391-LKF5-E00	PACKING. MUFFLER	PACKING. MUFFLER	1	
	39450	39450-LEA6-800	O2 SENSOR	O2 SENSOR	1	
	90101	90101-LEA7-E00	BOLT FLANGE SH 6X8	BOLT FLANGE SH 6X8	1	
	90103	90103-LEA7-E00	BOLT FLANGE SH 6X16	BOLT FLANGE SH 6X16	2	
	90301	90301-GFY6-901	NUT (HEX) CAP 8MM	NUT (HEX) CAP 8MM	2	
	93401	93401-06020-07	BOLT WASHER 6*20	BOLT WASHER 6*20	4	
	95701	95701-06022-06	BOLT FLANGE 6*22	BOLT FLANGE 6*22	4	



Sales mark	Ref no	Part no	Description	Reg description	Regd no	<b>F14</b>
------------	--------	---------	-------------	-----------------	---------	------------

95801

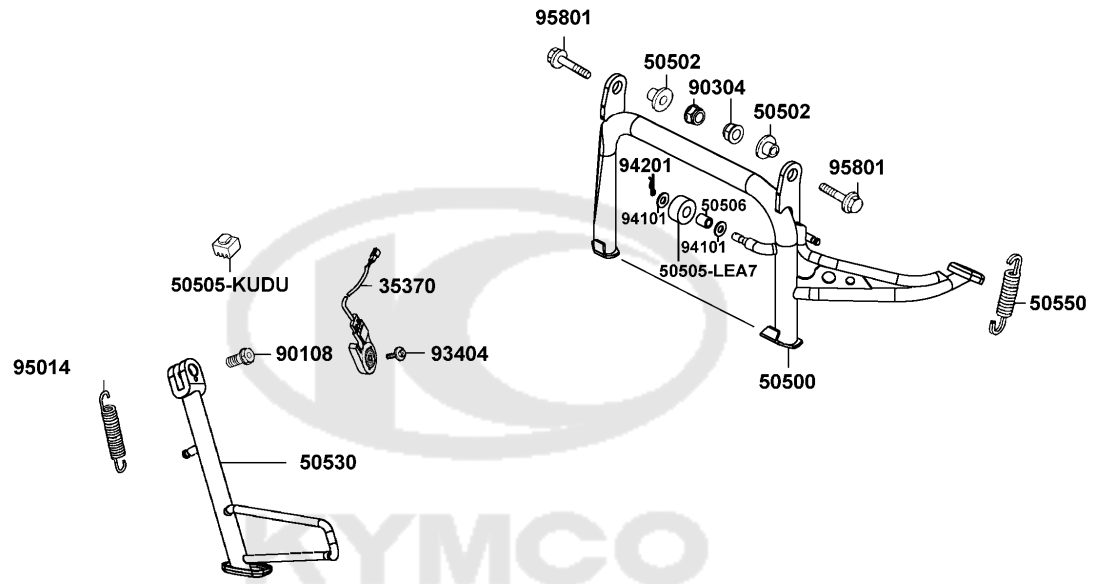
95801-10060-06

BOLT FLANGE 10\*60

BOLT FLANGE 10\*60

3

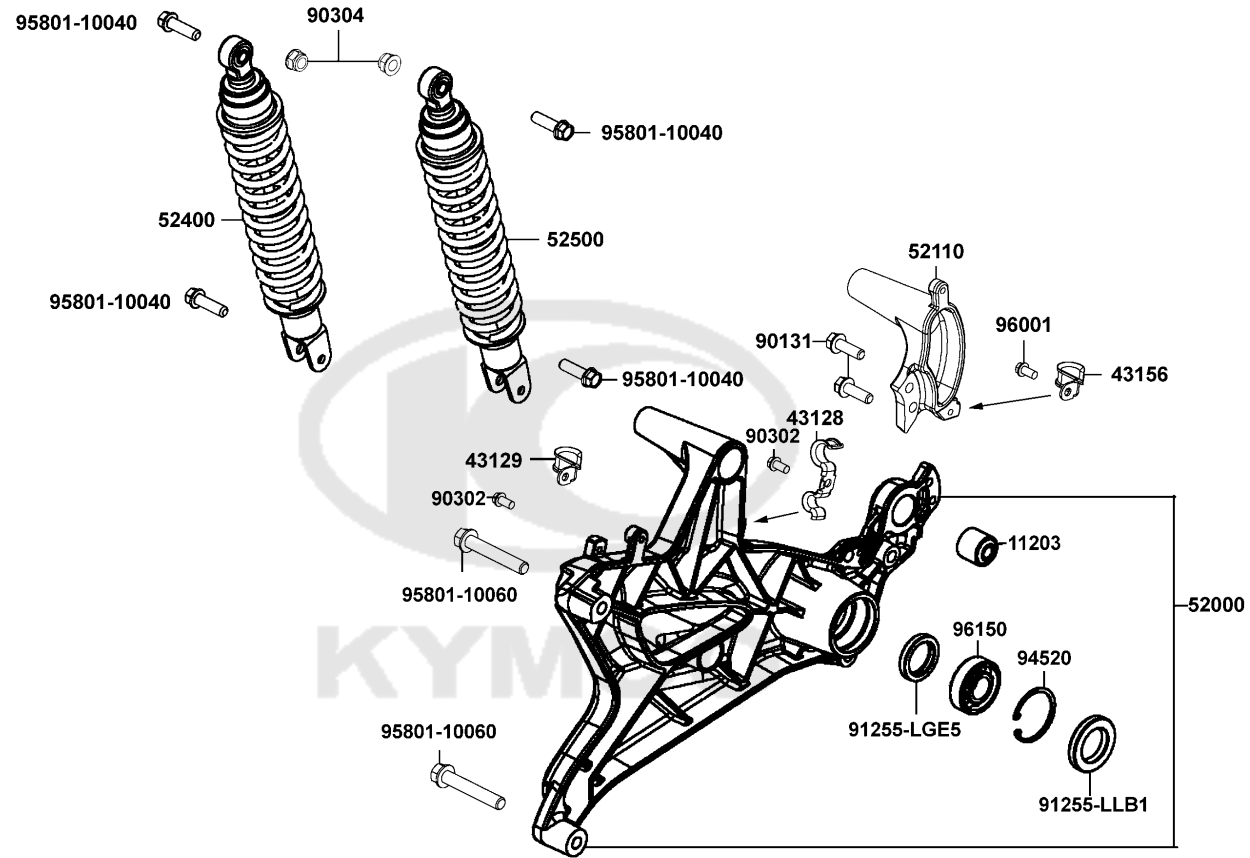




Sales mark	Ref no	Part no	Description	Reg description	Regd no	<b>F15</b>
35370		35370-LLJ3-E00	SW UNIT SIDE STAND	SW UNIT SIDE STAND	1	
50500		50500-LKF5-E00	STAND COMP.,MAIN	STAND COMP.,MAIN	1	
50502		50502-GFY6-901	COLLAR MAIN STAND	COLLAR MAIN STAND	2	
50505-KUDU		50505-KUDU-900	STOPPER RUBBER STAND	STOPPER RUBBER STAND	1	
50505-LEA7		50505-LEA7-E00	STOPPER RUBBER	STOPPER RUBBER	1	
50506		50506-KHE7-E00	COLLAR STOPPER RUBBER	COLLAR STOPPER RUBBER	1	
50530		50530-LKF5-E00	STAND COMP.,SIDE	STAND COMP.,SIDE	1	
50550		50550-KKC2-E00	SPG ASSY MAIN STAND	SPG ASSY MAIN STAND	1	
90108		90108-KKC4-900	SCREW SIDE STAND PIVOT	SCREW SIDE STAND PIVOT	1	
90304		90304-LEA1-900	NUT U FLANGE 10MM	NUT U FLANGE 10MM	2	
93404		93404-06016-06	BOLT WASHER 6*16	BOLT WASHER 6*16	1	
94101		94101-08600	WASH PLAIN 8MM	WASH PLAIN 8MM	2	
94201		94201-20180	PIN SPLIT 2.0*18	PIN SPLIT 2.0*18	1	
95014		95014-72204	SPG B1 SIDE STAND	SPG B1 SIDE STAND	1	
95801		95801-10030-06	BOLT FLANGE 10*30(G)	BOLT FLANGE 10*30(G)	2	

F16

Rr Cushion

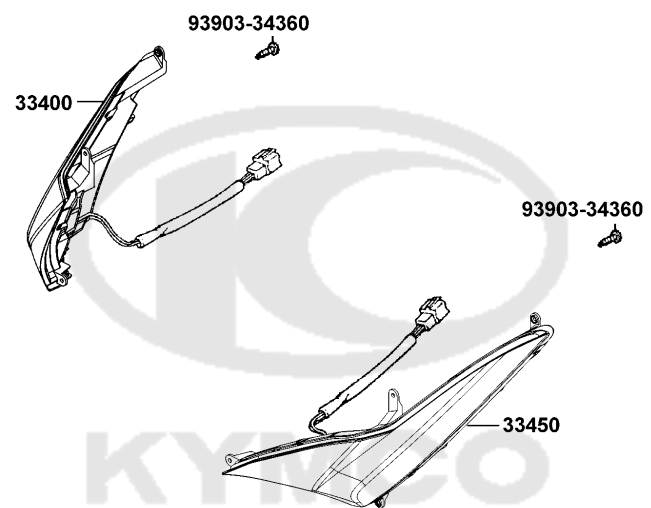


Sales mark	Ref no	Part no	Description	Reg description	Regd no	F16
	11203	11203-LBA2-E00	RUB BUSH L CASE	RUB BUSH L CASE	1	
	43128	43128-LKF5-E00	CLAMPER, RR BRK HOSE AND CABLE	CLAMPER, RR BRK HOSE AND CABLE	1	
	43129	43129-LKF5-E00	CLAMPER, RR BRK HOSE & CABLE, 1.B	CLAMPER, RR BRK HOSE & CABLE, 1.B	1	
	43156	43156-LDB2-900	CLAMPER HOSE RR	CLAMPER HOSE RR	1	
**	52000	52000-LKF5-E00	FORK ASSY, RR	FORK ASSY, RR	1	
**	52110	52110-LKF5-E00	FORK A RR CAST	FORK A RR CAST	1	
**	52400	52400-LKF5-E00	CUSHION ASSY., RR.	CUSHION ASSY., RR.	1	
**	52500	52500-LKF5-E00	CUSHION ASSY, RR L/H	CUSHION ASSY, RR L/H	1	
	90131	90131-KEBE-900	BOLT FLANGE 8*24	BOLT FLANGE 8*24	2	
	90302	90302-LLB1-E00	BOLT-WASHER 5*12	BOLT WASH 5*12	2	
	90304	90304-GLW0-90A	NUT U FLANGE 10MM	NUT U FLANGE 10MM	2	
	91255-LGE5	91255-LGE5-E00	OIL SEAL 30*48*7	OIL SEAL 30*48*7	1	
	91255-LLB1	91255-LLB1-900	OIL SEAL 30*40*7	OIL SEAL 30*40*7	1	
	94520	94520-47000	CIR CLIP IN 47	CIR CLIP IN 47	1	
	95801-10040	95801-10040-06	BOLT FLANGE 10*40	BOLT FLANGE 10*40	4	
	95801-10060	95801-10060-06	BOLT FLANGE 10*60	BOLT FLANGE 10*60	2	
	96001	96001-06012-06	BOLT FLANGE SH 6*12	BOLT FLANGE SH 6*12	3	
	96150	96150-62040-10	BEARING BALL RADIAL 6204	BEARING BALL RADIAL 6204	1	



F17

Winker



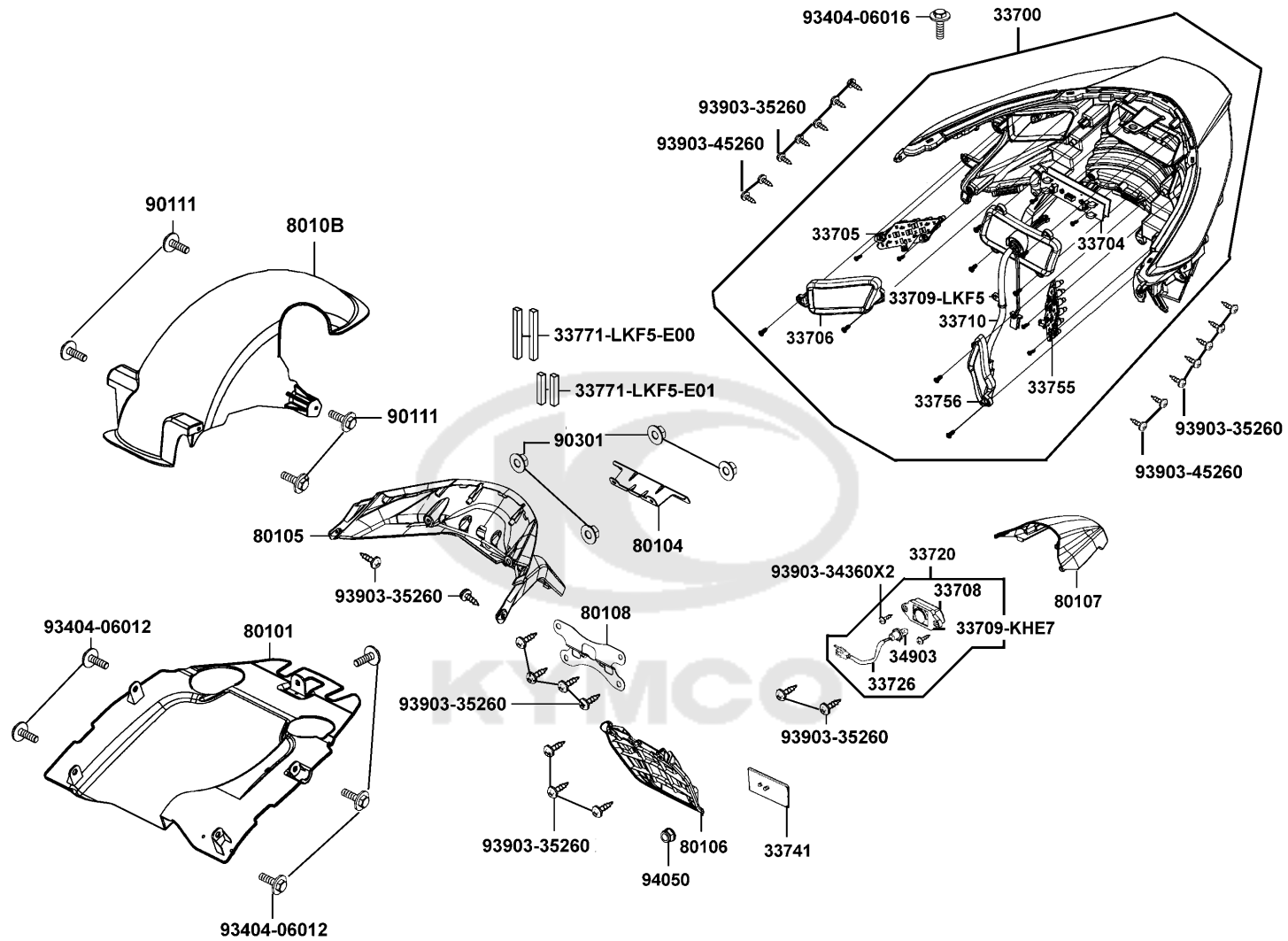
Sales mark	Ref no	Part no	Description	Reg description	Regd no	<b>F17</b>
------------	--------	---------	-------------	-----------------	---------	------------

33400		33400-LKF5-E00	WINKER ASSY.. R. FR	WINKER ASSY.. R. FR	1	
33450		33450-LKF5-E00	WINKER ASSY.. R. FR	WINKER ASSY.. R. FR	1	
93903		93903-34360	SCREW TAPPING 4*12 (G)	SCREW TAPPING 4*12	2	





Sales mark	Ref no	Part no	Description	Reg description	Regd no	F18
	33700	33700-LKF5-E00	LIGHT ASSY.. RR. COMB.	LIGHT ASSY.. RR. COMB.	1	
	33704	33704-LKF5-E00	PCB ASSY TAIL LIGHT	PCB ASSY TAIL LIGHT	1	
	33705	33705-LKF5-E00	PCB ASSY R WINKER	PCB ASSY R WINKER	1	
	33706	33706-LKF5-E00	COVER COMP R	COVER COMP R	1	
	33708	33708-KHE7-E00	LENS LICENSE	LICENSE LENS	1	
	33709-KHE7	33709-KHE7-E00	BASE LICENSE	BASE LICENSE	1	
	33709-LKF5	33709-LKF5-315	LIGHT ASSY	LIGHT ASSY	1	
	33710	33710-LKF5-E00	SOCKET COMP	SOCKET COMP	1	
	33720	33720-LBB5-E00	LIGHT ASSY LICENSE	LIGHT ASSY LICENSE	1	
	33726	33726-LBB5-E00	SCOKET COMP	SCOKET COMP	1	
	33741	33741-KHC5-M00	REFLEX REFLECTOR	REFLEX REFLECTOR	1	
	33755	33755-LKF5-E00	PCB ASSY L WINKER	PCB ASSY L WINKER	1	
	33756	33756-LKF5-E00	COVER COMP L	COVER COMP L	1	
	33771-LKF5-E00	33771-LKF5-E00	PACKING. TAIL LIGHT	PACKING. TAIL LIGHT	2	
	33771-LKF5-E01	33771-LKF5-E01	PACKING. TAIL LIGHT	PACKING. TAIL LIGHT	2	
	34903	34903-KPCP-900	BULB POSITION	BULB POSITION	1	
**	80101	80101-LKF5-E00	FENDER,RR. INNER	FENDER,RR. INNER	1	
	80104	80104-LKF5-E00	STAY,NO.PLATE	STAY,NO.PLATE	1	
**	80105	80105-LKF5-E00	RR FRNDER,UP	RR FRNDER,UP	1	
**	80106	80106-LKF5-E00	RR FENDER LOW	RR FENDER LOW	1	



Sales mark	Ref no	Part no	Description	Reg description	Regd no	<b>F18</b>
**	80107	80107-LKF5-E00	COVER LICENSE LIGHT	COVER LICENSE LIGHT	1	
	80108	80108-LKG7-E00	STAY RR FENDER	STAY RR FENDER	1	
**	8010B	8010B-LKF5-E00	FENDER ASSY.RR TIRE	FENDER ASSY.RR TIRE	1	
	90111	90111-LEB1-900	BOLT FLANGE 6MM	BOLT FLANGE 6MM	4	
	90301	90301-6C93-001	NUT 6MM OPENSTAY	NUT 6MM OPEN STAY	4	
	93404-06012	93404-06012-06	BOLT WASHER 6*12 (G)	BOLT WASH 6*12	5	
	93404-06016	93404-06016-06	BOLT WASHER 6*16	BOLT WASHER 6*16	5	
	93903-34360	93903-34360	SCREW TAPPING 4*12 (G)	SCREW TAPPING 4*12	2	
	93903-35260	93903-35260	SCREW TAPPING 5*12	SCREW TAPPING 5*12	21	
	93903-45260	93903-45260	SCREW TAPPING 5*12	SCREW TAPPING 5*12	4	
	94050	94050-05080	NUT FLANGE 5MM	NUT FLANGE 5MM	1	



Sales mark	Ref no	Part no	Description	Reg description	Regd no	<b>F19</b>
11385		11385-KGBG-900	CLIP VACUUM TUBE	CLIP VACUUM TUBE	1	
3051A		3051A-LKF5-E00	COIL ASSY IGN	COIL ASSY. IGN	1	
31340		31340-LFH1-E00	SENSOR RR WHEEL SPEED	SENSOR RR WHEEL SPEED	1	
31600		31600-LKF5-E00	REG REC COMP	REG REC COMP	1	
31601		31601-LKF5-E00	SOCKET COMP. DC 12V	SOCKET COMP. DC 12V	1	
3195A		3195A-LKF5-E00	CONTROL ASSY..HAZARD	CONTROL ASSY..HAZARD	1	
32100		32100-LKF5-E00	HARNESS WIRE	HARNESS WIRE	1	
32108		32108-GAR1-711	COVER HARNESS WIRE	COVER HARNESS WIRE	1	
35010		35010-LKF5-315-M2	KEY SET	KEY SET	1	
35101		35101-LKF5-315-M2	SW COMB & LOCK	SW COMB & LOCK	1	
35102		35102-LKF5-315-M2	SHUTTER MAGNETIC LOCK	SHUTTER MAGNETIC LOCK	1	
35119		35119-KHC4-90B	COVER SEAT CABLE	COVER SEAT CABLE	1	
35380		35380-LKG2-900	SENSOR ANGLE DETECT	SENSOR ANGLE DETECT	1	
35850		35850-LKF5-E0A	SW ASSY. START MAG.	SW ASSY. START MAG.	1	
35850		35850-LKF5-E0B	SW ASSY. START MAG.	SW ASSY. START MAG.	1	
38110		38110-KHB4-E0A	HORN COMP	HORN COMP	1	
38110		38110-KHB4-E0B	HORN COMP	HORN COMP	1	
38110		38110-KHB4-E0C	HORN COMP	HORN COMP	1	
38200		38200-KHE7-900	BOX COMP FUSE	BOX COMP FUSE	1	
38300		38300-KKE5-E00	RELAY COMP WINKER	RELAY COMP WINKER	1	



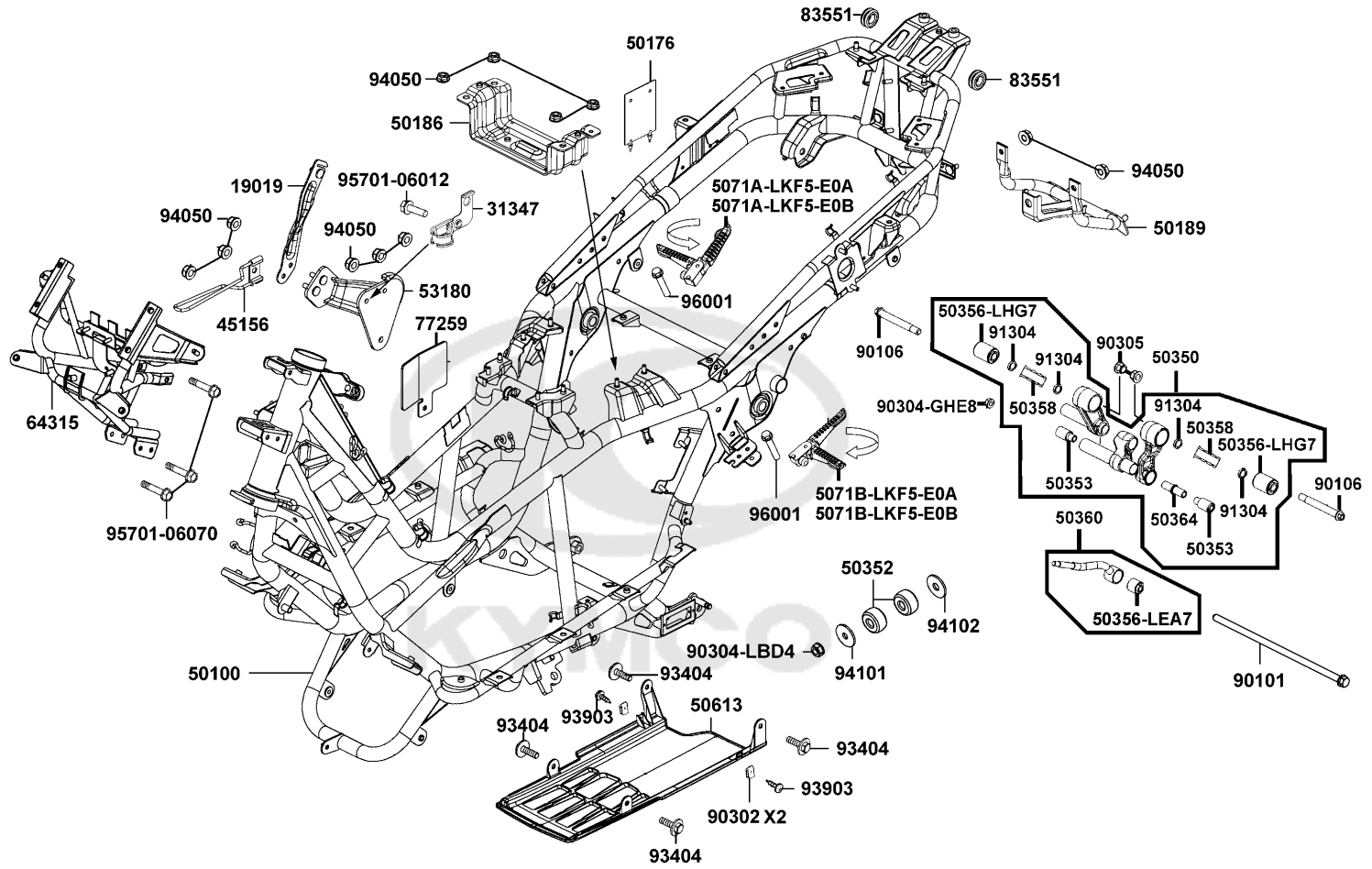


Sales mark	Ref no	Part no	Description	Reg description	Regd no	F19
	38500-LGL3-90A	38500-LGL3-90A	RELAY ASSY LIGHT/D402	RELAY ASSY LIGHT/D402	1	
	38500-LGL3-90B	38500-LGL3-90B	RELAY ASSY LIGHT/D106	RELAY ASSY LIGHT/D106	6	
	38500-LGL3-90D	38500-LGL3-90D	RELAY ASSY. START	RELAY ASSY. START	1	
	39100	39100-LKF5-E00	EMI FILTER. FAN MOTOR	EMI FILTER. FAN MOTOR	1	
	3920A	3920A-LKF5-E00	ASSY ECU	ASSY. ECU	1	
	39220	39220-LKG2-900	CUSHION ECU	CUSHION ECU	1	
	50154	50154-KKE3-900	COLLAR ECU	COLLAR ECU	2	
	77235	77235-KGC4-E0B	SEAT CATCH	SEAT CATCH	1	
	77240	77240-LKF5-E00	CABLE ASSY.. SEAT LOCK	CABLE ASSY.. SEAT LOCK	1	
	90651	90651-LKF5-E00	STOPPER RING	CLIP WIRE HARN	1	
	90652	90652-LGL7-E00	CLIP 8*120	CLIP 8*120	1	
**	90656	90656-KUDU-900	BAND HARNESS WIRE	BAND HARNESS WIRE	6	
	91507	91507-LKE6-900	CLIP	CLIP	2	
	93500-KHC4	93500-KHC4-90A	SCREW PAN 5*10	SCREW PAN 5*10	1	
	93500-LKF5	93500-LKF5-E00	SCREW PAN 5X15 (G)	SCREW PAN 5X15 (G)	1	
	94050-05080	94050-05080	NUT FLANGE 5MM	NUT FLANGE 5MM	2	
	94050-06080	94050-06080	NUT FLANGE 6MM	NUT FLANGE 6MM	10	
	94050-08080	94050-08080	NUT FLANGE 8MM	NUT FLANGE 8MM	1	
	95701	95701-LEA5-E00	BOLT TORQUE 8*25	BOLT TORQUE 8*25	2	
	96001-06012	96001-06012-06	BOLT FLANGE SH 6*12	BOLT FLANGE SH 6*12	1	

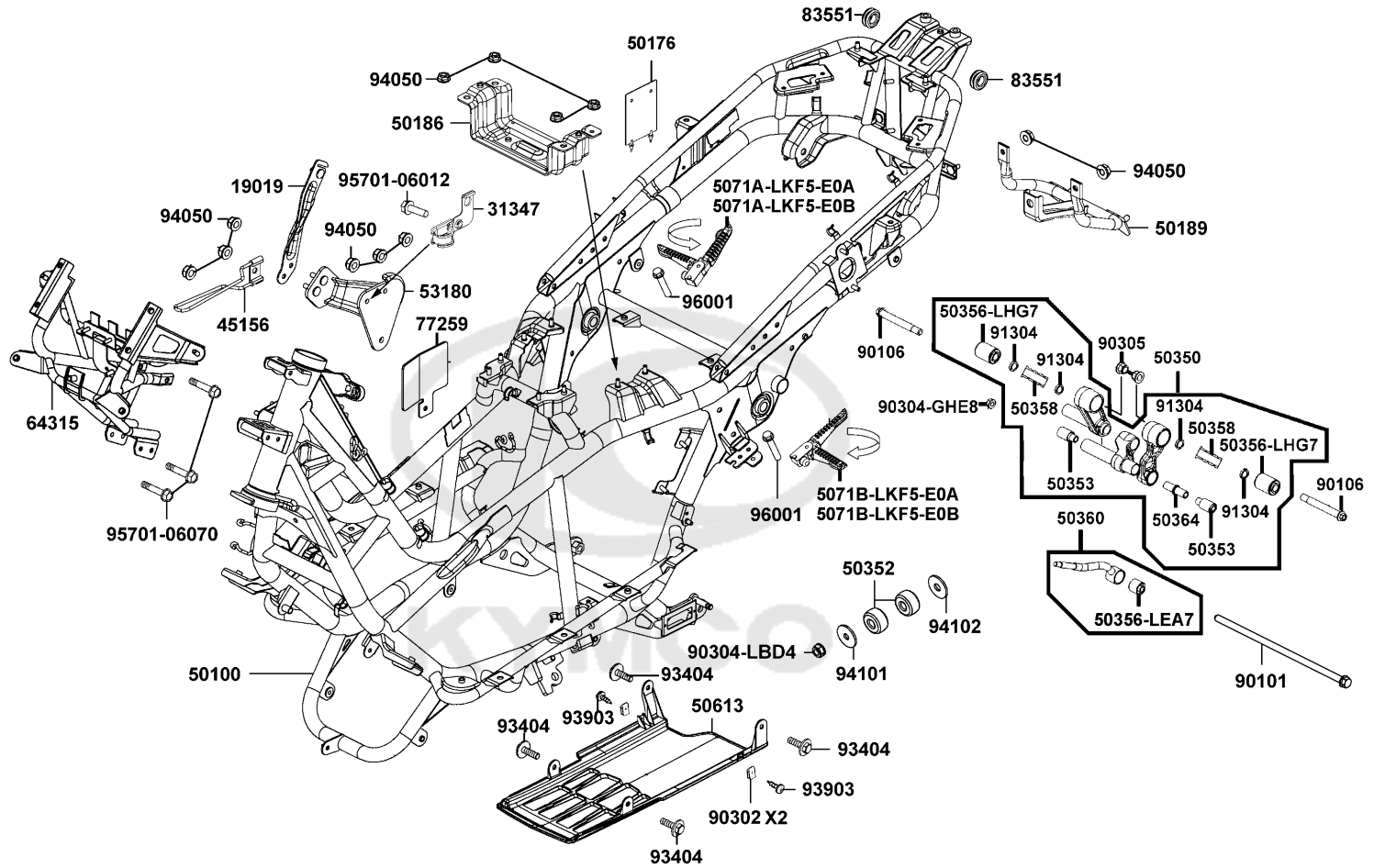


Sales mark	Ref no	Part no	Description	Reg description	Regd no	<b>F19</b>
	96001-06014	96001-06014-08	BOLT FLANGE 6*14	BOLT FLANGE 6*14	4	
	98200-31000	98200-31000	BLADE FUSE 10A	BLADE FUSE 10A	2	
	98200-31500	98200-31500	BLADE FUSE 15A	BLADE FUSE 15A	2	
	98200-33000	98200-33000	BLADE FUSE 30A	BLADE FUSE 30A	1	





Sales mark	Ref no	Part no	Description	Reg description	Regd no	F20
	19019	19019-LKF5-E00	STAY,RADIATOR UNIT	STAY,RADIATOR UNIT	1	
	31347	31347-LKF5-E00	CLAMPER. SPEED SENSOR	CLAMPER. SPEED SENSOR	1	
	45156	45156-KECE-900	CLAMPER FR BRK CABLE	CLAMPER FR BRK CABLE	1	
	50100	50100-LKF5-E00	BODY COMP.,FRAME	BODY COMP.,FRAME	1	
	50176	50176-LGE5-E00	PLATE FRAME GUARD	PLATE FRAME GUARD	1	
	50186	50186-LKF5-E00	BRKT.,BATTERY	BRKT.,BATTERY	1	
	50189	50189-LKF5-E00	STAY,RR FENDER	STAY,RR FENDER	1	
	50350	50350-LKF5-E00	HANGER ASSY, ENG	HANGER ASSY, ENG	1	
	50352	50352-LBA2-E00	RUBBER STOPPER	RUBBER STOPPER	2	
	50353	50353-KGN7-901	BUSH A ENG HANGER	BUSH A ENG HANGER	2	
	50356-LEA7	50356-LEA7-E01	RUB BUSH ENG HANGER	RUB BUSH ENG HANGER	1	
	50356-LHG7	50356-LHG7-E00	RUBBER BUSH ENG HANGER	RUBBER BUSH, ENG. HANGER	2	
	50358	50358-LGE5-E00	BUSH INNER ENG HANGER	BUSH INNER ENG HANGER	2	
	50360	50360-LKF5-E00	TIE-ROD ASSY, ENG HANGER	TIE-ROD ASSY, ENG HANGER	1	
	50364	50364-KHE7-E00	COLLAR B ENG HANGER	COLLAR B ENG HANGER	1	
**	50613	50613-LKF5-E00	COVER,UNDER	COVER,UNDER	1	
	5071A-LKF5-E0A	5071A-LKF5-E0A	BAR R ASSY RR STEP	BAR R ASSY RR STEP	1	
	5071A-LKF5-E0B	5071A-LKF5-E0B	BAR R ASSY RR STEP	BAR R ASSY RR STEP	1	
	5071B-LKF5-E0A	5071B-LKF5-E0A	BAR L ASSY RR STEP	BAR L ASSY RR STEP	1	
	5071B-LKF5-E0B	5071B-LKF5-E0B	BAR L ASSY RR STEP	BAR L ASSY RR STEP	1	



Sales mark	Ref no	Part no	Description	Reg description	Regd no	<b>F20</b>
53180		53180-LKF5-E00	STAY COMP., PARKING BRAKE	STAY COMP., PARKING BRAKE	1	
64315		64315-LKF5-E00	BRKT,FR COVER	BRKT,FR COVER	1	
77259		77259-LKF5-E00	PLATE. ANTI THIEF	PLATE. ANTI THIEF	1	
83551		83551-KEC8-900	GROMMET COVER	GROMMET COVER	2	
90101		90101-LKF5-E00	BOLT FLANGE 10x275(G)	BOLT FLANGE 10x275(G)	1	
90106		90106-LEA7-E00	BOLT FLANGE 15*118	BOLT FLANGE 15*118	2	
90302		90302-SDA4-004	NUT SPRING 4MM	NUT SPRING 4MM	2	
90304-GHE8		90304-GHE8-004	NUT U 10MM	NUT U 10MM	1	
90304-LBD4		90304-LBD4-900	NUT U FLANGE 10MM	NUT U FLANGE 10MM	1	
90305		90305-LBD4-900	NUT U 14MM	NUT U 14MM	2	
91304		91304-LGE5-E00	O-RING 17.8x2.4	O-RING 17.8x2.4	4	
93404		93404-06012-06	BOLT WASHER 6*12 (G)	BOLT WASH 6*12	4	
93903		93903-GFY6-900	SCREW TAPPING 4*14	SCREW TAPPING 4*14	2	
94050		94050-06080	NUT FLANGE 6MM	NUT FLANGE 6MM	12	
94101		94101-LBA2-E00	WASHER PLATE 10.5*38*3.0	WASHER PLATE 10.5*38*3.0	1	
94102		94102-LBA2-E00	WASHER PLAIN 38*12.5*3	WASHER PLAIN 38*12.5*3	1	
95701-06012		95701-06012-08	BOLT FLANGE 6*12	BOLT FLANGE 6*12	1	
95701-06070		95701-06070-08	BOLT FLANGE 6*70	BOLT FLANGE 6*70	3	
96001		96001-06032-06	BOLT FLANGE 6*32	BOLT FLANGE SH 6*32	2	



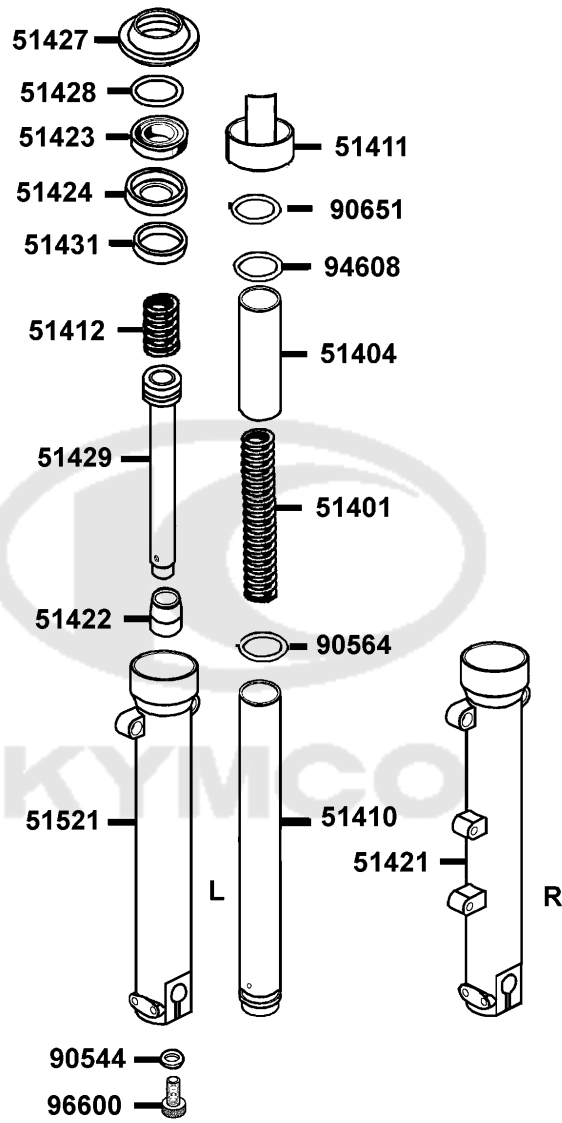


Sales mark	Ref no	Part no	Description	Reg description	Regd no	F21
	19005	19005-LKF5-E01	SHROUD ASSY.	SHROUD ASSY.	1	
	19010	19010-LKF5-E00	RADIATOR COMP	RADIATOR COMP	1	
	19012	19012-LEA7-E05	UNIT RADIATOR	UNIT RADIATOR	1	
	19013	19013-LKF5-E00	HOSE,WATER INLET	HOSE,WATER INLET	1	
	19014	19014-LKF5-E00	HOSE,WATER OUTLET	HOSE,WATER OUTLET	1	
	19015	19015-LBA2-E00	SHROUD COMP	SHROUD COMP	1	
	19016	19016-LKF5-E00	HOSE,WATER-UNIT CAP	HOSE,WATER-UNIT CAP	1	
	19018	19018-LKF5-E00	HOLDER UPPER,RADIATOR	HOLDER UPPER,RADIATOR	1	
	19020	19020-LBA2-E00	FAN COOLING	FAN COOLING	1	
	19024	19024-LKF5-E00	HOLDER LOWER,RADIATOR	HOLDER LOWER,RADIATOR	1	
	19026	19026-LKF5-E00	DAMPING RUBBER RADIATOR	DAMPING RUBBER RADIATOR	4	
	19027	19027-LKF5-E00	COLLAR RADIATOR	COLLAR RADIATOR	3	
	19028	19028-LKF5-E00	STAY,RADIATOR FAN	STAY,RADIATOR FAN	2	
	19030	19030-LBA2-E00	MOTOR ASSY FAN	MOTOR ASSY FAN	1	
	19101	19101-LKF5-E00	TANK,RESERVE	TANK,RESERVE	1	
	19104	19104-LKF5-900	HOSE RESERVE TANK	HOSE RESERVE TANK	1	
	19105	19105-LKF5-E00	HOSE ASSY RESERVE TANK	HOSE ASSY RESERVE TANK	1	
	19111	19111-PRB3-900	CAP COMP RADIATOR	CAP COMP RADIATOR	1	
	19210	19210-KKC4-900	CAP RESERVE TANK	CAP RESERVE TANK	1	
	19505	19505-LKF5-E00	CLAMP,D31	CLAMP,D31	4	



Sales mark	Ref no	Part no	Description	Reg description	Regd no	F21
19507		19507-LDB5-E00	CLAMP D 28	CLAMP D 28	2	
19615		19615-LKF5-E00	COVER,RADLATOR	COVER,RADLATOR	1	
83550		83550-KEC8-900	COLLAR	COLLAR	1	
83551		83551-KEC8-900	GROMMET COVER	GROMMET COVER	1	
90301		90301-6D34-671	NUT FLANGE 6MM	NUT FLANGE 6MM	1	
93404-06025		93404-06025-06	BOLT WASHER 6*25	BOLT WASHER 6*25	4	
93404-KKC2		93404-KKC2-900	BOLT WASH 6*16	BOLT-WASH 6*16	10	
93903		93903-35360	SCREW TAPPING 5*16	SCREW TAPPING 5*16	1	
94050		94050-06060	NUT FLANGE 6MM	BOLT FLANGE 6MM	4	
94591		94591-KFBF-900	CLIP 2*70	CLIP 2*71	1	
95002-02100		95002-02100	CLIP B15 TUBE	CLIP B10 TUBE	1	
95002-70000		95002-70000	CLIP C11 TUBE	CLIP C11 TUBE	2	

Separated Parts Of Fr Fork



Sales mark	Ref no	Part no	Description	Reg description	Regd no	F22
	51401	51401-LKF5-E00	SPRING	SPRING	4	
	51404	51404-LKF5-E00	SPRING COLLAR	SPRING COLLAR	2	
	51410	51410-LKF5-E00	FORK PIPE COMP	FORK PIPE COMP	2	
	51411	51411-KKE5-E00	FORK FENDER	FORK FENDER	2	
	51412	51412-LKF5-E00	REBOUND SPRING	REBOUND SPRING	2	
**	51421	51421-LKF5-E00	BOTTOM CASE R	BOTTOM CASE R	1	
	51422	51422-LBA2-E00	OIL LOCK PIECE	OIL LOCK PIECE	2	
	51423	51423-KED9-900	OIL SEAL	OIL SEAL	2	
	51424	51424-KED9-900	SPACER	SPACER	2	
	51427	51427-KED9-900	DUST SEAL	DUST SEAL	2	
	51428	51428-KED9-900	OIL SEAL STOPPER RING	OIL SEAL STOPPER RING	2	
	51429	51429-LKF5-E00	PIPE SEAT COMP	PIPE SEAT COMP	2	
	51431	51431-KED9-900	GUIDE BUSH	GUIDE BUSH	2	
**	51521	51521-LKF5-E00	BOTTOM CASE L	BOTTOM CASE L	1	
	90544	90544-KEC8-900	PACKING	PACKING	2	
	90564	90564-KED9-900	PLANE WASHER	PLANE WASHER	2	
	90651	90651-LKF5-E00	STOPPER RING	CLIP WIRE HARN	2	
	94608	94608-LKF5-E00	O-RING	O-RING	2	
	96600	96600-LKF5-E00	BOLT	BOLT	2	

● Be sure to wear a safety helmet when riding.  
 ● Do not exceed the speed specified by law when riding.  
 ● The exhaust muffler temperature is very high after riding. Be sure to park the motorcycle in a place not easily touched by people.  
 ● For riding safety and good performance, do not violate the law to modify the motorcycle.  
 ● Please read the User's Manual carefully to ensure driving safety.

● Make sure to perform the periodic maintenance and periodic inspection.  
 Pre-ride Inspection Items  
 Brake Performance, tires, engine oil level, lights, horn, and instrument panel.  
 KWANG YANG MOTOR CO., LTD.

GM9-300

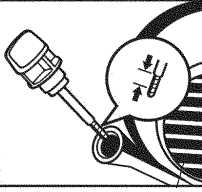
87560-GFY6-E00

CAUTIONS

Never put any article between the rear side cover and the engine to avoid interference of riding.

GM9-300

87542-GAR1-E00



Controleer het oliepeil! Elke 1000km

Check the oil level! Every 1000km

87541-LFA1-E90

87541-LFA1

CAUTIONS

TIRE SIZE : FRONT 120/70 15 REAR 150/70 14  
 (ONE RIDER) : FRONT 2.0 kgf/cm<sup>2</sup> REAR 2.25 kgf/cm<sup>2</sup>  
 (TWO RIDER) : FRONT 2.0 kgf/cm<sup>2</sup> REAR 2.25 kgf/cm<sup>2</sup>  
 (AS PER KYMCO STANDARD SPECIFICATION)  
 (NOTE: THE TIRE PRESSURE MUST NOT OVERPASS FRONT: 2.30 kgf/cm, REAR: 2.50 kgf/cm<sup>2</sup>)

CHECK THE MOTOR OIL LEVEL WITH THE DIPSTICK AFTER REFILLING MOTOR OIL.

87505-LKF5-E00

87505-LKF5-E00

CAUTION

Mobile phone charge only, Use other appliance may cause damage.

KKC2-E000

87541-KKC2-E00

CAUTIONS

Before starting the engine, the side stand shall be kicked up to secure safety.

87541-GAR1-E00

CAUTIONS

Every 6000 km run should exchange the filter.

LBA2-E00

87512-LBA2-E00

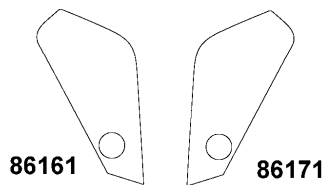
Sales mark	Ref no	Part no	Description	Reg description	Regd no	<b>F23</b>
**	87505-LKF5-E00	87505-LKF5-E00	LABEL TIRE	LABEL TIRE	1	
**	87512-LBA2-E00	87512-LBA2-E00	CAUTION FILTER	CAUTION FILTER	1	
**	87541-GAR1-E00	87541-GAR1-E00	CAUTION SIDE STAND	CAUTION SIDE STAND	1	
**	87541-KKC2-E00	87541-KKC2-E00	CAUTION MOBILE PHONE	CAUTION MOBILE PHONE	1	
**	87541-LFA1	87541-LFA1-E90	LABEL OIL	LABEL OIL	1	
**	87542-GAR1-E00	87542-GAR1-E00	MARK MAINT CAUTION	MARK MAINT CAUTION	1	
**	87560-GFY6-E00	87560-GFY6-E00	MARK DRIVE CAUTION	MARK DRIVE CAUTION	1	





F24

Emblem Stripe



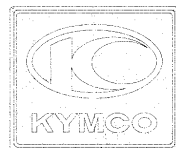
86701



86102-LGR2



86202



86102-LKJ1



86282



86283



86284



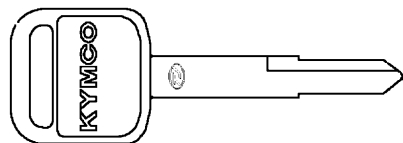
86286

Sales mark	Ref no	Part no	Description	Reg description	Regd no	<b>F24</b>
**	86102-LGR2	86102-LGR2-E00	EMB K-LOGO'38mm	EMB K-LOGO'38mm	2	
**	86102-LKJ1	86102-LKJ1-900	EMB K-LOGO	EMB K-LOGO	1	
**	86161	86161-LGR2-E00	STRIPE R FR FENDER	STRIPE R FR FENDER	1	
**	86171	86171-LGR2-E00	STRIPE L FR FENDER	STRIPE L FR FENDER	1	
**	86202	86202-LKF5-E00	EMB BODY COVER	EMB BODY COVER	2	
**	86282	86282-LGR2-E00	STRIPE R FR MOLD	STRIPE R FR MOLD	1	
**	86283	86283-LGR2-E00	STRIPE L FR MOLD	STRIPE L FR MOLD	1	
**	86284	86284-LGR2-E00	STRIPE B R FR MOLD	STRIPE B R FR MOLD	1	
**	86286	86286-LGR2-E00	STRIPE B L FR MOLD	STRIPE B L FR MOLD	1	
**	86701	86701-LKF5-E00	STRIPE COVER TUNNEL	STRIPE COVER TUNNEL	1	

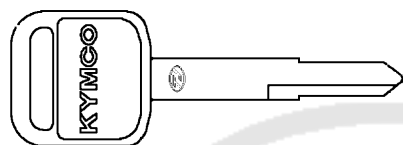


F25

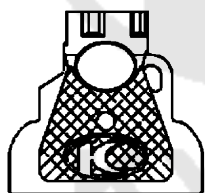
Key



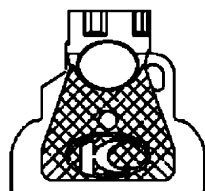
**35111-LBA2-306-T01**



**35111-LBA2-306-T02**



**35111-LEA1-307-M1**



**35111-LEA1-307-M2**

Sales mark	Ref no	Part no	Description	Reg description	Regd no	<b>F25</b>
	35111-LBA2-306-T01	35111-LBA2-306-T01	KEY COMP (R TANGENT PLANE/TJ)	KEY COMP / MAIN SW	1	
	35111-LBA2-306-T02	35111-LBA2-306-T02	KEY COMP (L TANGENT PLANE/TJ)	KEY COMP / MAIN SW	1	
	35111-LEA1-307-M1	35111-LEA1-307-M1	KEY COMP SHOTTER MAGNETIC (SD)	KEY COMP SHOTTER MAGNETIC (SD)	1	
	35111-LEA1-307-M2	35111-LEA1-307-M2	KEY COMP SHOTTER MAGNETIC (TJ)	KEY COMP SHOTTER MAGNETIC (TJ)	1	



## PART NO. INDEX

PART NO.	VERSION	PAGE	PART NO.	VERSION	PAGE	PART NO.	VERSION	PAGE
<b>0000</b>			11203-LBA2-E00	2	E01	<b>13000</b>		
			11203-LBA2-E00	2	F16			
			1121A-LKF5-E00	1	F13			
0118-814-1100	0	E05	1122A-LEA7-E00	2	E01	1300A-LKF5-E00	16	E03
0901-819-6001	0	E05	11330-LKF5-E00	4	E04	13011-LKF5-E00	0	E03
0901-880-6000	0	E05	11340-LKF5-E00	2	E01	13101-LKF5-E00	6	E03
0901-911-6000	0	E05	11344-LKF5-E00	0	E01	13111-LKF5-E00	2	E03
			11345-LKF5-E00	2	E01	13210-LKF5-E00-1	8	E03
<b>1000</b>			11347-LKF5-E00	1	E06	13210-LKF5-E00-2	8	E03
			1134B-LKF5-E00	0	E01	13221-LKF5-E00	0	E03
1090-873-2001	0	E05	11350-LKF5-E00	1	E01	13222-LKF5-E00	0	E03
1190-C74-2000	0	E05	11357-LKF5-E00	1	E06	13223-LKF5-E00	0	E03
1190-C75-2000	0	E05	11383-KHE7-900	0	E02	13314-LKF5-E00-A	0	E01
1614-868-0000	0	E05	11385-KGBG-900	0	F19	13314-LKF5-E00-B	0	E01
1614-906-0002	0	E05	11394-LKF5-E00	3	E04	13314-LKF5-E00-C	0	E01
			11395-LKF5-E00	0	E01	13406-LEA7-E00	2	E02
<b>3000</b>			<b>12000</b>			1342A-LKF5-E01	5	E03
						<b>14000</b>		
3700-A35B-0110	0	E05	12100-LKF5-E00	4	E03			
3791-HN80-0000	0	F10	12191-LKF5-E00	1	E03	14100-LKF5-E00	15	E02
<b>11000</b>			12200-LKF5-E00	4	E02	14321-LEA7-E00	6	E02
			12209-GDB4-68A	0	E02	14401-PWB1-900	2	E03
11109-LKF5-E00	2	E01	12251-LKF5-E00	0	E02	14420-LKF5-E00	1	E02
1110A-LKF5-305	0	E01	12310-LKF5-E00	0	E02	14430-LKF5-E00	1	E02
11110-LLJ3-E00	2	E01	12391-LKF5-E00	1	E02	14433-PTA1-900	3	E02

## PART NO. INDEX

PART NO.	VERSION	PAGE	PART NO.	VERSION	PAGE	PART NO.	VERSION	PAGE
14434-PTA1-900	2	E02	15423-KKC3-900	1	E01	17550-LKF5-E00	0	F10
14452-LKF5-E00	0	E02	15437-LEA7-E00	1	E01	17561-LDF2-900	0	F10
14453-LKF5-E00	1	E02	1565A-LBA2-E00	2	E04	17561-LGE5-E00	1	F10
14510-LKF5-E01	2	E03	15711-LKF5-E00	1	E07	17582-LKF5-E00	2	F10
14523-PRA1-E00	2	E03				17620-LKF5-315-M2	0	F10
14531-KHE7-900	1	E03	<b>16000</b>			17685-KZCZ-900	0	F05
14550-LKF5-E00	0	E03				17685-LKF5-E00	3	F10
14610-LEA7-E00	2	E03	1610K-LKF5-E00	2	E05	17910-LKF5-E00	4	F03
14711-LKF5-E00	2	E02	16201-LKF5-E00	0	E02	17911-LKF5-E00	1	F03
14721-LKF5-E00	2	E02	16211-LKF5-E00	0	E02			
14751-LKF5-E00	3	E02				<b>18000</b>		
14761-LKF5-E00	1	E02	<b>17000</b>					
14771-LKF5-E00	0	E02				18291-KEBE-900	0	F14
14773-LKF5-E00	1	E02	1711A-LKF5-E00	1	E02	18291-KKC4-900	1	E01
14777-LBA2-E00	3	E02	17214-LDB2-E00	1	F13	18291-PWB1-900	2	F14
14781-MFA6-001	0	E02	1721A-LKF5-E00	0	F13	18292-KEBE-900	0	F14
			17236-KFBB-910	1	F13	18293-KEBE-900	0	F14
<b>15000</b>			1723A-LKF5-E00	0	F13	18293-KKC4-900	0	E01
			1723B-LKF5-E00	0	F13	18294-KEBE-900	0	F14
15100-LKF5-E00	7	E07	17255-LKF5-E00	2	F13	18294-LDB2-900	0	F14
15136-KKE5-E00	6	E07	17308-LKF5-900	2	F04	18306-LKF5-E00	4	F14
15141-LKF5-E00	1	E07	1737A-KUDU-900	0	F13	1830A-LKF5-E00	8	F14
15161-PUA5-E00	5	E01	17500-LEA7-E00	4	F10	18310-LKF5-E00	3	F14
15162-PUA5-E00	7	E01	17511-LKF5-E00	2	F10	18318-LKF5-E00	4	F14
15200-LKF5-E00	2	E01	17512-LKF5-E00	2	F10	18320-LKF5-E00	2	F14
1541A-LEH6-E00	2	E01	17530-KGB5-900	1	F05	18325-LKF5-E00	1	F14

## PART NO. INDEX

PART NO.	VERSION	PAGE	PART NO.	VERSION	PAGE	PART NO.	VERSION	PAGE	
18371-LBA2-E00	2	F14	19217-6G57-024	0	E04	22110-LKF5-E00	7	E06	
18391-LKF5-E00	0	F14	19220-LKF5-305	0	E04	22121-LKF5-E00	6	E06	
18601-LKF5-E00	0	E01	19229-LKF5-E00	3	E04	22130-LKF5-E00	9	E06	
<b>19000</b>			1922A-LKF5-E00	5	E04	22300-LKF5-E00	6	E06	
			19230-LKF5-E00	1	E04	22350-LKF5-E00	4	E06	
			19300-KAE1-004	1	E02	22361-LKF5-E00	1	E06	
			19315-LKF5-E00	2	E02	22401-LKF5-E00	2	E06	
			19421-LKF5-E00	3	E02	22530-LKF5-E00	3	E06	
19005-LKF5-E01	1	F21	19502-LKF5-E00	3	E02	22804-GBB2-001	0	E06	
19010-LKF5-E00	1	F21	19505-LKF5-E00	0	F21	<b>23000</b>			
19012-LEA7-E05	1	F21	19507-LDB5-E00	1	E02				
19013-LKF5-E00	4	F21	19507-LDB5-E00	1	F21				
19014-LKF5-E00	4	F21	19613-LEA7-E00	1	E01		2301A-LKF5-E00	9	E06
19015-LBA2-E00	0	F21	19615-LKF5-E00	2	F21		23100-LKF5-E01	1	E06
19016-LKF5-E00	0	F21	<b>21000</b>				23200-LKF5-E00	3	E06
19018-LKF5-E00	1	F21					23220-LKF5-E00	3	E06
19019-LKF5-E00	2	F20					23225-LKF5-E00	2	E06
19020-LBA2-E00	0	F21					23233-LKF5-E00	4	E06
19024-LKF5-E00	0	F21					23237-LKF5-E00	3	E06
19026-LKF5-E00	0	F21	21124-LKF5-E00	1	E06	23238-LKF5-E01	3	E06	
19027-LKF5-E00	0	F21	21301-LKF5-305	2	E08	23411-LKF5-E00	4	E08	
19028-LKF5-E00	2	F21	21395-LKF5-E00	0	E08	23420-LKF5-E00	7	E08	
19030-LBA2-E00	0	F21	<b>22000</b>			23431-LKF5-E00	4	E08	
19101-LKF5-E00	3	F21				23432-LKF5-E00	3	E08	
19104-LKF5-900	0	F21							
19105-LKF5-E00	2	F21		22100-LKF5-E00	2	E06			
19111-PRB3-900	2	F21		22102-LKF5-E00	1	E06			
19210-KKC4-900	0	F21	22105-LKF5-E00	3	E06				

## PART NO. INDEX

PART NO.	VERSION	PAGE	PART NO.	VERSION	PAGE	PART NO.	VERSION	PAGE
<b>28000</b>			<b>32000</b>			33709-KHE7-E00	0	F18
28102-LEA7-E00	3	E07	32100-LKF5-E00	7	F19	33709-LKF5-315	0	F18
28110-LKF5-E00	3	E07	32105-LLJ3-E00	2	E01	33710-LKF5-E00	0	F18
28120-LKF5-E00	1	E07	32108-GAR1-711	1	F19	33720-LBB5-E00	3	F18
28130-LKF5-E00	4	E07	32161-LBA7-900	0	F01	33726-LBB5-E00	1	F18
			32410-LKF5-E00	0	E07	33741-KHC5-M00	0	F18
<b>30000</b>			32411-KHD8-900	2	F11	33755-LKF5-E00	0	F18
3051A-LKF5-E00	3	F19	32412-LKF5-E00	0	E04	33756-LKF5-E00	0	F18
			<b>33000</b>			33771-LKF5-E00	0	F18
<b>31000</b>			33100-LGR2-E00	3	F01	33771-LKF5-E01	0	F18
31110-LKF5-E00	4	E07	33108-KHE7-E00	0	F01	33900-LKF5-E00	2	F12
31120-LKF5-E00	6	E07	33110-LGR2-E00	0	F01	33901-LHG7-E00	0	F12
31210-LKF5-E00	5	E07	33120-LGR2-E00	0	F01	33902-LHG7-E00	0	F12
31340-LFH1-E00	1	F19	33130-LGR2-E00	0	F01	33903-LHG7-E00	0	F12
31347-LKF5-E00	0	F20	33150-LGR2-E00	0	F01	33906-LKF5-E00	0	F12
31500-LBA2-90A	5	F11	33400-LKF5-E00	0	F17	<b>34000</b>		
31500-LBA2-90B	3	F11	33450-LKF5-E00	0	F17	34901-KFA6-900	0	F01
31519-LKF5-E00	0	F11	33700-LKF5-E00	0	F18	34903-KPCP-900	0	F18
31600-LKF5-E00	0	F19	33704-LKF5-E00	0	F18	<b>35000</b>		
31601-LKF5-E00	1	F19	33705-LKF5-E00	0	F18	35010-LKF5-315-M2	0	F19
3195A-LKF5-E00	2	F19	33706-LKF5-E00	0	F18	35101-LKF5-315-M2	0	F19
			33708-KHE7-E00	0	F18	35102-LKF5-315-M2	0	F19



## PART NO. INDEX

PART NO.	VERSION	PAGE	PART NO.	VERSION	PAGE	PART NO.	VERSION	PAGE
35111-LBA2-306-T01	0	F25	38110-KHB4-E0C	1	F19			
35111-LBA2-306-T02	0	F25	38200-KHE7-900	0	F19	<b>43000</b>		
35111-LEA1-307-M1	0	F25	38300-KKE5-E00	2	F19			
35111-LEA1-307-M2	0	F25	38500-LGL3-90A	2	F19	43100-LKF5-E00	0	F08
35119-KHC4-90B	0	F19	38500-LGL3-90B	2	F19	43105-LKF5-305	0	F08
3515A-LBA2-E01	1	F03	38500-LGL3-90D	2	F19	43107-LBA2-E00	0	F08
3520A-KEBE-900	2	F03				43109-GBE2-007	0	F07
35340-LKF5-E00	1	F04	<b>39000</b>			43109-MCA3-007	0	F08
35350-LKF5-E00	1	F04				43113-LBA2-E00	0	F08
35370-LLJ3-E00	3	F15	39100-LKF5-E00	0	F19	43119-LBA2-E00	0	F08
35380-LKG2-900	1	F19	3920A-LKF5-E00	3	F19	43126-LKF5-E00	8	F04
35390-LKF5-E00	2	F12	39220-LKG2-900	1	F19	43128-LKF5-E00	1	F16
35396-LKF5-E00	0	F12	39300-LDG7-M90	2	E02	43129-LKF5-E00	1	F16
35500-KED9-900	6	E01	39305-LKF5-E00	2	E02	43140-LKF5-E00	0	F08
35850-LKF5-E0A	0	F19	39400-LDF2-800	2	E02	43143-LBA2-E00	0	F08
35850-LKF5-E0B	0	F19	39450-LEA6-800	3	F14	43146-LKF5-E00	0	F08
<b>37000</b>			<b>42000</b>			43156-LDB2-900	2	F16
37200-LKF5-E00	2	F02	42311-LEA7-950	0	F08	43210-LKF5-305	0	F08
37211-LKF5-E00	0	F02	42312-LEA7-950	0	F08	43351-LKF5-E00	1	F08
			42601-LKF5-E00	2	F08	43352-KKD6-E90	1	F08
<b>38000</b>			42710-LKF5-E00	0	F08	43352-LHG7-E00	1	F07
			42753-KNBN-90B	1	F07	43353-KED9-900	0	F07
38110-KHB4-E0A	0	F19	42753-KNBN-90B	1	F08	43353-KED9-900	0	F08
38110-KHB4-E0B	2	F19				43450-LKF5-E00	5	F04
						43530-LKF5-305	0	F04

## PART NO. INDEX

PART NO.	VERSION	PAGE	PART NO.	VERSION	PAGE	PART NO.	VERSION	PAGE	
<b>44000</b>			45156-KECE-900	2	F20	50330-LKF5-E00	0	F11	
			45156-LKF5-E00	3	F06	50350-LKF5-E00	3	F20	
			45200-LKF5-E00	3	F07	50352-LBA2-E00	1	F20	
	44301-LKF5-E00	1	F07	45203-KED9-900	0	F08	50353-KGN7-901	0	F20
	44312-LKF5-E00	0	F07	45207-LKF5-E00	0	F07	50356-LEA7-E01	1	F20
	44600-LKF5-305	0	F07	45209-GBE2-007	0	F07	50356-LHG7-E00	2	F20
	44620-LBA2-E00	3	F07	45209-KED9-900	0	F08	50358-LGE5-E00	3	F20
	44710-LKF5-E00	0	F07	45352-LKF5-E00	0	F07	50360-LKF5-E00	0	F20
				45513-LEA7-E00	1	F04	50364-KHE7-E00	0	F20
				45516-LBA2-E00	0	F08	50500-LKF5-E00	6	F15
<b>45000</b>			45517-LKF5-E00	2	F04	50502-GFY6-901	3	F15	
	45100-LKF5-E00	3	F07	45520-KKA8-900	0	F04	50504-LKF5-E00	1	E01
	45103-MGR7-007	0	F07	45521-LEA7-E00	1	F04	50505-KUDU-900	1	F15
	45105-LKF5-305	0	F07	45530-LKF5-305	0	F04	50505-LEA7-E00	1	F15
	45107-LBA2-E00	0	F08	45531-KED9-900	0	F08	50506-KHE7-E00	0	F15
	45107-LKF5-E00	0	F07				50530-LKF5-E00	3	F15
	45107-LLJ3-E00	0	F08				50550-KKC2-E00	0	F15
	45108-KED9-900	0	F08				50604-KED9-950	0	F07
	45108-LKF5-E00	0	F07	50100-LKF5-E00	5	F20	50613-LKF5-E00	1	F20
	45125-LKF5-E00	1	F06	50154-KKE3-900	2	F19	5071A-LKF5-E0A	1	F20
45126-LKF5-E00	9	F04	50176-LGE5-E00	2	F20	5071A-LKF5-E0B	0	F20	
45128-KEBE-900	0	F06	50186-LKF5-E00	1	F20	5071B-LKF5-E0A	1	F20	
45128-KKE5-E00	2	F06	50189-LKF5-E00	4	F20	5071B-LKF5-E0B	0	F20	
4512A-LKF5-E00	1	F07	50306-1F96-001	0	F06				
45132-1F66-017	0	F08	5032A-LKF5-E00	0	F11				
45134-KED9-900	0	F08	5032B-LKF5-E00	1	F11				

## PART NO. INDEX

PART NO.	VERSION	PAGE	PART NO.	VERSION	PAGE	PART NO.	VERSION	PAGE
<b>51000</b>			<b>53000</b>			53230-LKF5-E00	0	F06
51400-LKF5-E00	5	F06	53100-LKF5-E00	4	F03	53240-LBA2-E00	2	F06
51401-LKF5-E00	0	F22	53102-LEA5-E00	3	F03	53250-LBA2-E00	2	F06
51404-LKF5-E00	0	F22	53105-LEA5-E00	3	F03	<b>55000</b>		
51410-LKF5-E00	0	F22	53131-3H98-941	0	F03	55122-LKF5-E00	0	F05
51411-KKE5-E00	0	F22	53140-KKC4-900	0	F03	<b>61000</b>		
51412-LKF5-E00	0	F22	53166-KGB5-900	0	F03	61100-LGR2-305	1	F06
51421-LKF5-E00	0	F22	53175-LKF5-E00	0	F04	61101-LBA2-E00	1	F06
51422-LBA2-E00	0	F22	53178-LKF5-E00	0	F04	<b>64000</b>		
51423-KED9-900	0	F22	53180-LKF5-E00	1	F20	6413A-LGR2-E00	4	F03
51424-KED9-900	0	F22	53190-LKF5-305	0	F04	64140-LKF5-E00	1	F03
51427-KED9-900	0	F22	53192-LKF5-E00	4	F04	64205-LKF5-E00	1	F05
51428-KED9-900	0	F22	53193-LDE9-E00	0	F04	64206-LKF5-E00	1	F05
51429-LKF5-E00	0	F22	53193-LKF5-E00	0	F04	64222-KKC4-900	3	F03
51431-KED9-900	0	F22	5319A-LKF5-E00	7	F04	64222-LLJ3-E00	1	F03
51500-LKF5-E00	5	F06	53200-LKF5-E01	4	F06	64222-LLJ3-E00	1	F06
51521-LKF5-E00	0	F22	53203-LBA2-E00	3	F03	6422A-LKF5-E00	3	F03
<b>52000</b>			53204-LBA2-E00	3	F03	64231-LBA2-E00	1	F03
52000-LKF5-E00	3	F16	53205-LKF5-E00	3	F03	64232-LBA2-E00	1	F03
52110-LKF5-E00	0	F16	53206-LKF5-E00	2	F03	6423A-LGR2-E00	4	F03
52400-LKF5-E00	4	F16	53208-LKF5-E00	1	F03			
52500-LKF5-E00	1	F16	53213-LBA2-E00	2	F06			
			53214-LBA2-E00	2	F06			
			53220-LBA2-E00	2	F06			

## PART NO. INDEX

PART NO.	VERSION	PAGE	PART NO.	VERSION	PAGE	PART NO.	VERSION	PAGE
64240-LKF5-E00	1	F03	77259-LKF5-E00	0	F20	81137-LKF5-E00	1	F05
64301-LGR2-E00	1	F05	77300-LKF5-E00	5	F09	81138-LKF5-E00	1	F05
64302-LGR2-305	0	F05	77303-LKF5-E00	1	F09	81139-LKF5-E00	0	F05
64305-LKF5-E00	2	F05				8113A-LKF5-E00	2	F05
64306-LKF5-E00	2	F05	<b>80000</b>			81141-LKF5-E00	4	F05
64307-LGR2-E00	0	F05				81160-LKF5-E00	2	F05
64308-LGR2-E00	0	F05	80101-LKF5-E00	1	F18	81170-LKF5-E00	1	F05
64310-LKF5-E00	2	F05	80104-LKF5-E00	0	F18	81200-LGR2-E00	1	F12
64315-LKF5-E00	1	F20	80105-LKF5-E00	2	F18	81252-KKE5-E00	2	F12
64320-LKF5-E00	1	F05	80106-LKF5-E00	0	F18	81260-LKF5-E00	6	F12
64330-LKF5-E00	2	F05	80107-LKF5-E00	0	F18			
64340-LKF5-E00	1	F05	80108-LKG7-E00	0	F18	<b>83000</b>		
64400-LKF5-E00	2	F05	8010B-LKF5-E00	6	F18			
64401-LKF5-E00	1	F05	80151-LKF5-E00	3	F05	83500-LKF5-E00	3	F12
<b>77000</b>			80152-LKF5-E00	4	F05	83510-LKF5-E00	2	F12
			80153-LEA7-E00	3	F05	83520-LKF5-E00	1	F05
			80153-LKF5-E00	1	F05	83530-LKF5-E00	3	F12
77200-LKF5-305	0	F09	80154-LKF5-E00	1	F05	83550-KEC8-900	0	F06
77200-LKF5-E01	2	F09				83550-KEC8-900	0	F21
77206-KEB7-900	0	F09	<b>81000</b>			83551-KEC8-900	0	F06
77210-LKF5-E00	2	F09				83551-KEC8-900	0	F20
77212-LKF5-E00	0	F09	81131-LKF5-E00	5	F05	83551-KEC8-900	0	F21
77213-LKF5-E00	0	F09	81132-LKF5-E00	2	F05	83551-KKAK-900	0	F05
77214-LKF5-E00	0	F09	81134-LKF5-E00	3	F05	83600-LKF5-E00	3	F12
77235-KGC4-E0B	2	F19	81135-LKF5-E00	1	F05	83610-LKF5-E00	2	F12
77240-LKF5-E00	3	F19	81136-LKF5-E00	2	F05	83620-LKF5-E00	1	F05

## PART NO. INDEX

PART NO.	VERSION	PAGE	PART NO.	VERSION	PAGE	PART NO.	VERSION	PAGE
83630-LKF5-E00	3	F12	87542-GAR1-E00	2	F23	90101-LEA7-E00	1	F14
83750-LKF5-E00	2	F12	87560-GFY6-E00	3	F23	90101-LKF5-E00	0	F20
8376A-KEBE-900	4	F05				90103-LEA7-E00	1	F14
			<b>88000</b>			90104-LEA7-E00	3	F03
<b>86000</b>			88110-LKF5-E00	0	F03	90105-KCR3-001	1	F07
86102-LGR2-E00	0	F24	88118-LKF5-E00	0	F03	90105-KCR3-001	1	F08
86102-LKJ1-900	0	F24	88120-LKF5-E00	0	F03	90105-KHB4-900	0	F12
86161-LGR2-E00	2	F24	88128-LKF5-E00	0	F03	90105-LLJ3-E00	3	F03
86171-LGR2-E00	2	F24				90106-LEA7-E00	1	F20
86202-LKF5-E00	0	F24	<b>89000</b>			90107-LEA7-E00	3	F06
86282-LGR2-E00	0	F24				90108-KKC4-900	1	F15
86283-LGR2-E00	0	F24	89010-LKF5-E00	2	F09	90111-KED9-900	0	F03
86284-LGR2-E00	0	F24	89020-KKC4-900	1	F09	90111-KED9-900	0	F04
86286-LGR2-E00	0	F24				90111-LEB1-900	1	F18
86701-LKF5-E00	1	F24	<b>90000</b>			90112-KFA1-900	1	F12
						90113-KKA8-900	0	F04
<b>87000</b>			90001-GBHB-661	2	E07	90122-LEA7-E00	1	F08
			90001-GBHB-681	2	F13	90122-LKF5-E00	1	F07
87206-LBA2-E00	2	F03	90001-GFY6-901	4	E02	90131-KEBE-900	2	F16
87505-LKF5-E00	2	F23	9000B-KHD6-900	2	E02	90145-MKS9-61A	1	F04
87508-KKC4-E00	1	F03	90012-LKF5-E00	2	E02	90201-KHR8-75A	1	E07
87512-LBA2-E00	2	F23	90032-LEA7-E00	2	E01	90201-LKF5-E00	1	E06
87541-GAR1-E00	1	F23	90033-GFY6-900	0	E02	90202-LDB5-E00	1	E06
87541-KKC2-E00	1	F23	90084-KKF9-901	0	E04	90206-0A01-001	2	E02
87541-LFA1-E90	0	F23	90101-LBA2-E00	0	F08	90301-6C93-001	1	F12
						90301-6C93-001	1	F18

## PART NO. INDEX

PART NO.	VERSION	PAGE	PART NO.	VERSION	PAGE	PART NO.	VERSION	PAGE
90301-6D34-671	1	F03	90478-7L00-001	0	E02	<b>91000</b>		
90301-6D34-671	1	F10	90478-7L00-001	0	E04			
90301-6D34-671	1	F21	90503-KKE5-E00	1	F06			
90301-GFY6-901	2	F14	90503-LEA7-E00	2	F06	91001-KKJ9-006	0	E04
90302-LKB9-900	1	F12	9052A-LEB1-900	1	E01	91002-LKF5-E00	1	E06
90302-LLB1-E00	2	F16	90544-KEC8-900	0	F22	91004-LBA2-E00	1	E06
90302-SDA4-004	2	F03	90545-3L00-001	2	F04	91006-LKF5-E00	0	E08
90302-SDA4-004	2	F05	90564-KED9-900	0	F22	91007-LKF5-E00	0	E08
90302-SDA4-004	2	F20	90601-LKF5-E00	2	E06	91008-LKF5-E00	0	E08
90304-GHE8-004	0	F20	90605-1F66-721	0	E06	91201-LEA7-E00	1	E01
90304-GLW0-90A	1	F16	90651-LCA5-E00	1	F05	91202-LEA7-E00	4	E08
90304-KKE5-E00	1	F06	90651-LKF5-E00	0	F19	91202-LEA7-E0A	3	E08
90304-LBD4-900	2	F20	90651-LKF5-E00	0	F22	91202-LKG2-900	1	E04
90304-LEA1-900	1	F15	90651-LKF5-E01	1	F03	91211-LDB5-E00	1	E06
90305-KKAK-900	0	F08	90652-LDG7-900	1	E02	91255-LGE5-E00	1	F16
90305-LBA2-E00	1	F05	90652-LFB5-900	2	F05	91255-LKF5-E00	1	E01
90305-LBA2-E00	1	F06	90652-LGL7-E00	1	F19	91255-LLB1-900	1	F16
90305-LBD4-900	1	F20	90652-LKF5-E00	0	F13	91257-KED9-900	2	F07
90312-GLF0-001	0	F03	90656-KCBC-900	0	F03	91301-2L00-001	0	E01
90312-LLJ3-E00	1	F03	90656-KUDU-900	0	F19	91301-LDF2-M90	2	E02
90312-LLJ3-E01	0	F06	90660-PWA2-900	1	F04	91302-LDF2-M90	2	E02
90401-KKJ9-001	0	E07	90677-GAR1-004	1	F03	91302-LKF5-E00	0	E02
90441-LKF5-E00	0	E01	90701-9E65-001	0	E01	91303-3G77-001	0	E04
90459-LKF5-E00	0	E04	90914-LKF5-E00	2	E04	91303-LEA7-E00	1	E01
90465-LBA2-E00	1	E01				91304-LGE5-E00	1	F20
90474-3C33-001	1	E01				91305-LEH6-E00	0	E01

## PART NO. INDEX

PART NO.	VERSION	PAGE	PART NO.	VERSION	PAGE	PART NO.	VERSION	PAGE
91305-LEH6-E00	0	E04	93404-06012-06	0	F18	93903-35260	0	F05
91305-LKF5-E00	0	E01	93404-06012-06	0	F20	93903-35260	0	F12
91306-PUA5-E00	3	E01	93404-06012-08	0	F11	93903-35260	0	F18
91307-0E35-001	0	E04	93404-06016-06	0	F05	93903-35320	0	F01
91307-PUA5-E00	3	E01	93404-06016-06	0	F15	93903-35320	0	F02
91309-4E25-004	0	E07	93404-06016-06	0	F18	93903-35320	0	F03
91313-KED9-900	3	E01	93404-06020-06	1	F03	93903-35360	0	F05
91313-LKF5-E00	1	E01	93404-06025-06	0	F21	93903-35360	0	F21
91351-LDB5-E00	1	E06	93404-KKC2-900	1	F21	93903-45260	0	F11
91507-LKE6-900	1	F19	93500-05016-1B	0	F03	93903-45260	0	F18
91552-LEA7-E00	1	E01	93500-05025-1B	0	F03	93903-45360	0	F12
91552-LEH6-E00	0	E01	93500-05032-1B	0	F03	93903-GFY6-900	1	F03
91552-LEH6-E00	0	E04	93500-05045-1B	0	F03	93903-GFY6-900	1	F05
			93500-KHC4-90A	0	F19	93903-GFY6-900	1	F20
<b>92000</b>			93500-LKF5-E00	0	F19	93903-KEB7-900-06	1	F05
			93600-04012-1G	0	F04			
92000-05016-0H	0	E02	93600-LDE9-E00	0	F04	<b>94000</b>		
92000-LEA6-900	1	E07	93600-LKF5-E00	0	E01			
92101-05012-0A	0	F07	93891-05016-06	0	F05	94050-05080	0	F18
92101-05012-0H	0	E07	93892-04008-18	0	E05	94050-05080	0	F19
92900-06040-0E	2	E02	93893-04012-18	0	F04	94050-06060	0	F04
			93903-25380	0	E01	94050-06060	0	F13
<b>93000</b>			93903-25460	0	F13	94050-06060	0	F21
			93903-34360	0	F05	94050-06080	0	E02
93401-06020-07	0	F14	93903-34360	0	F17	94050-06080	0	F09
93404-06012-06	0	F06	93903-34360	0	F18	94050-06080	0	F10

## PART NO. INDEX

PART NO.	VERSION	PAGE	PART NO.	VERSION	PAGE	PART NO.	VERSION	PAGE
94050-06080	0	F19	94520-47000	0	F16	95701-LBA2-E00	0	F08
94050-06080	0	F20	94591-27000	0	F05	95701-LDF2-800	2	F10
94050-08060	0	F09	94591-KFBB-900	2	F11	95701-LEA5-E00	1	F19
94050-08080	0	F19	94591-KFBB-900	2	F21	95709-PRA1-E00	3	E02
94050-10060	0	E01	94601-PSA6-E00	3	E03	95801-08035-06	1	F03
94050-86000	0	F08	94608-LKF5-E00	0	F22	95801-08040-08	0	F06
94050-LKF5-E00	1	E06				95801-10030-06	0	F15
94101-08600	0	F15	<b>95000</b>			95801-10040-06	0	F16
94101-LBA2-E00	1	F20				95801-10060-06	0	F14
94102-LBA2-E00	1	F20	95002-02070	0	E04	95801-10060-06	0	F16
94201-20180	0	F15	95002-02080	0	F05			
94251-08400	0	F07	95002-02100	0	F21	<b>96000</b>		
94301-08100	1	E02	95002-02120	1	F13			
94301-08100	1	E07	95002-50000	0	E01	96001-06010-00	0	E02
94301-08140	0	E04	95002-70000	0	F21	96001-06010-00	0	E04
94301-10160	0	E01	95014-72204	0	F15	96001-06012-06	0	F16
94301-10160	0	E04	95701-06012-06	1	F06	96001-06012-06	0	F19
94301-10160	0	E08	95701-06012-08	0	F10	96001-06012-08	0	E01
94301-12200	1	E02	95701-06012-08	0	F20	96001-06012-08	0	E07
94301-12200	1	E03	95701-06016-08	0	E02	96001-06012-08	0	F06
94303-04160	0	E07	95701-06022-06	1	F14	96001-06014-08	0	F19
94401-25140	4	E03	95701-06050-06	0	F06	96001-06016-06	0	E02
94510-10000	0	E07	95701-06070-08	0	F20	96001-06020-06	0	E01
94510-12000	0	E04	95701-08012-06	0	E01	96001-06022-06	1	E04
94510-29000	0	E08	95701-08035-08	0	E08	96001-06022-08	0	E01
94520-30000	0	E06	95701-08040-08	0	E08	96001-06025-06	0	E02



## PART NO. INDEX

PART NO.	VERSION	PAGE	PART NO.	VERSION	PAGE	PART NO.	VERSION	PAGE
96001-06025-06	0	E03	96600-LKF5-E00	0	F22			
96001-06025-08	0	E03						
96001-06028-06	0	E04	<b>98000</b>					
96001-06028-06	0	E07						
96001-06028-06	0	F04	98059-57916-00	2	E02			
96001-06030-08	0	E01	98200-31000	1	F11			
96001-06032-06	0	F20	98200-31000	1	F19			
96001-06035-06	0	E04	98200-31500	0	F11			
96001-06035-08	0	E01	98200-31500	0	F19			
96001-06070-06	0	E01	98200-33000	0	F11			
96001-06125-06	1	E04	98200-33000	0	F19			
96001-GFY6-900	1	F13						
96100-62040-00	0	E01	<b>K</b>					
96100-62040-00	0	E08						
96100-63040-00	1	E01	K536-174-0200	0	E05			
96100-63040-00	1	E03						
96100-63040-00	1	E08	<b>N</b>					
96100-63050-00	0	E08						
96150-60040-10	0	F07	N114-05103-3	0	E05			
96150-60060-10	0	E01						
96150-60060-10	0	E08	<b>W</b>					
96150-62040-10	0	F16						
96600-06015-10	0	E07	W1792-048-9901	0	E05			
96600-08025-06	0	F06						
96600-08035-06	0	F06						
96600-KKC4-900	0	F07						